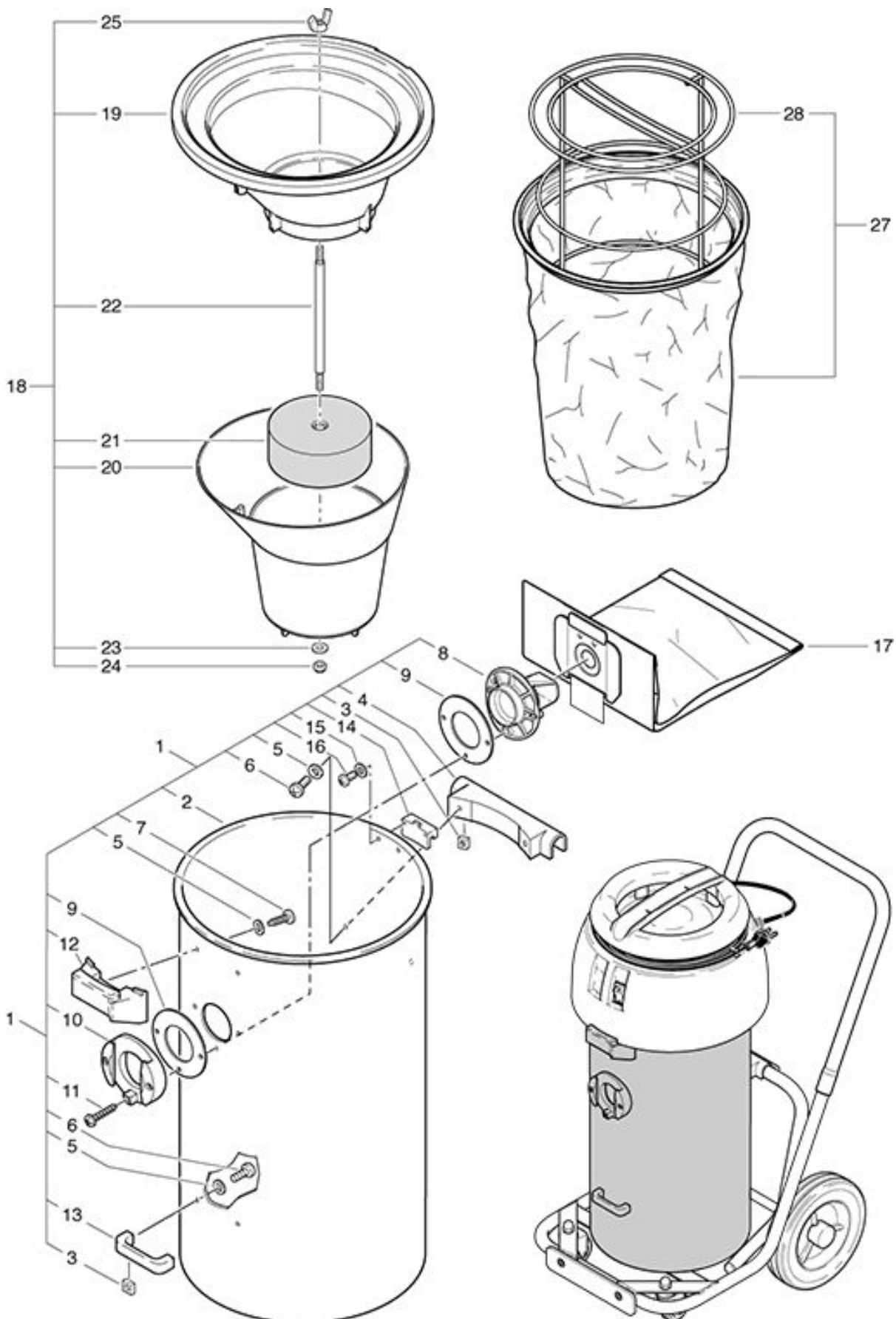


**B 25 KW**  
**Dust and water tank**

As at: 05/24/08 Time:08:16



## B 25 KW

### Dust and water tank

As at: 05/24/08 Time:08:16

<b>Pos.</b>	<b>Description</b>	<b>Reference</b>
01	Dust and water tank, compl. including: items 2-16	023.050
02	Dust and water tank	023.051
03	Nut M 5	P...491 T
04	Mounting device	4011274
05	Washer	6230217
06	Screw M 5x10	P...481 L
07	PT-screw KA 50x16	P...516 H
08	Saffle	014.106
09	Seal	649012512
10	Tank connection	4012234
11	PT-screw KA 50x30	P...515 E
12	Fixation for cover	020.122
13	Carrying handle	4011555
14	Holder	023.110
15	Washer M 4	P...497 AA
16	Screw M 4x10	P...481 M
17	Packet of 10 dustbags	020.430
18	Dust and water tank, compl. including: items 19-25	021.601
19	Float insert top part compl.	014.622 A
20	Cover	014.623
21	Float compl.	014.620
22	Float	014.624
23	Washer M 6 6.4/12/1.6	P...497 K
24	Stop nut M 6	P...492 K
25	Wing nut M 6	P...253 L
27	Filter bag heatproof compl. including items 28	023.930
28	Filter cartridge	676012221