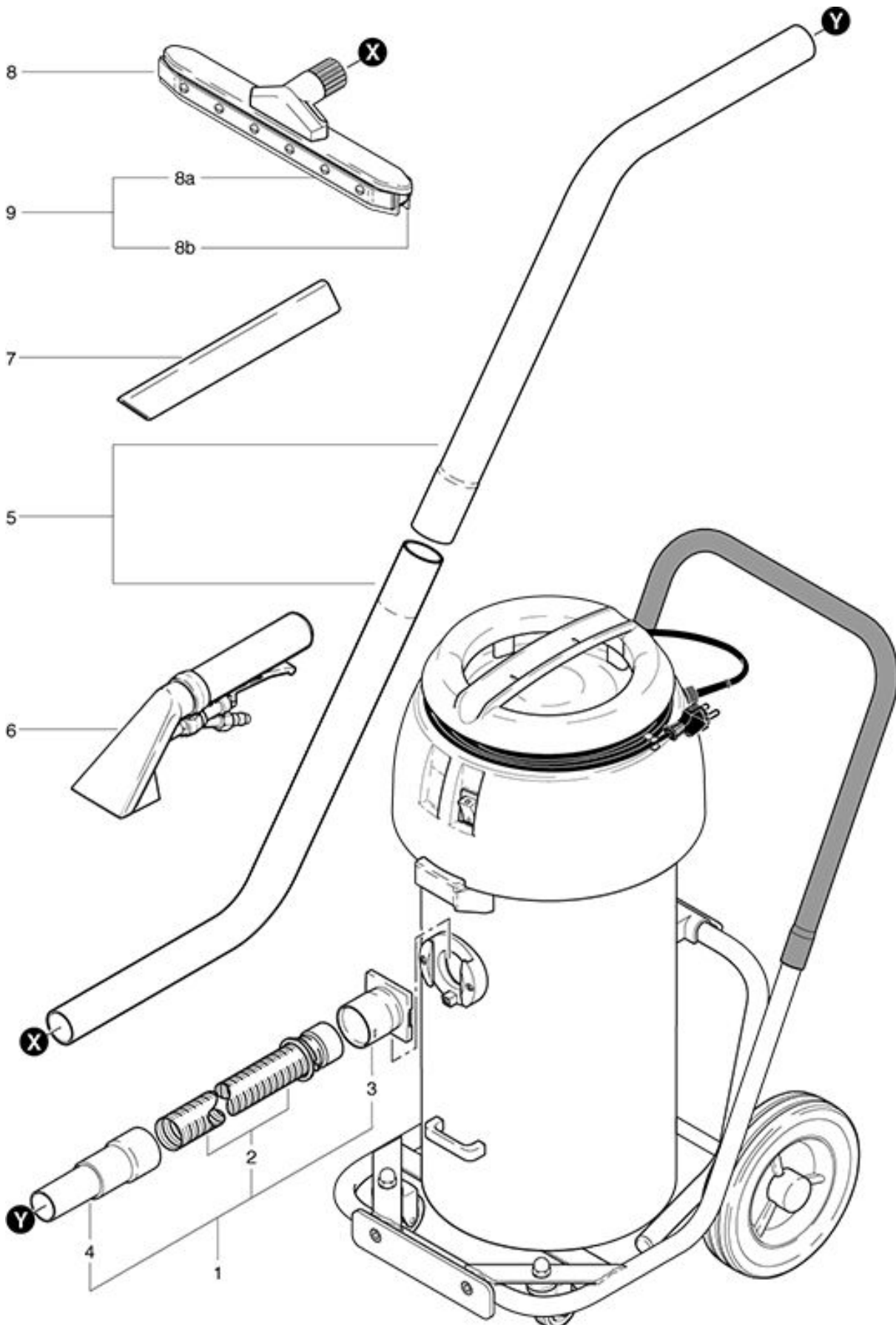


B 25 KW
Standard accessoires

As at: 05/24/08 Time:08:16



B 25 KW

Standard accessoires

As at: 05/24/08 Time:08:16

Pos.	Description	Reference
01	Dust extraction hose heatproof compl. including items 2-4	2011652
02	Dust extraction hose heatproof 3,0 m	024.571
03	Inner sleeve Ø 38 mm	6505189
04	Hose end connector	2011736
05	2x chrome-plated steel pipe curved	687011408
06	Pad nozzle aluminium, Ø 38 mm	3011375
07	Joint nozzle, rubber	686011239
08	Baking-oven nozzle, heatproof compl.	2011387
08a	Rubber lip briefly	647011384
08b	Rubber lip long	647011386
09	Rubber lip set	2011762