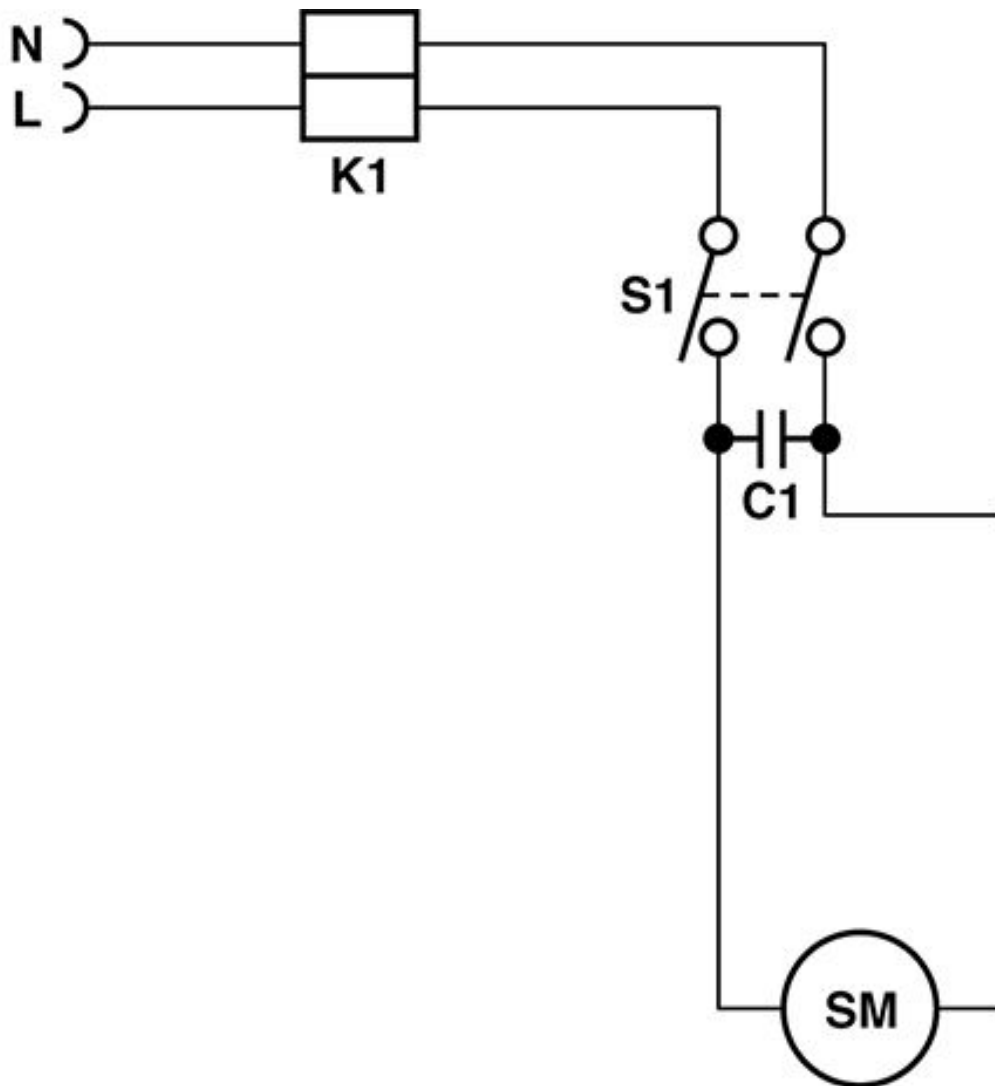


B 25 KW
Wiring diagram

As at: 05/24/08 Time:08:18



- K1 = Reihenklemme / Serre-fil / Cable clamp
- S1 = Wippenschalter / Interrupteur / Tumbler switch
- C1 = Kondensator / Condensateur / Capacitor 0.15 F
- SM = Saugmotor / Moteur d'aspiration / Vacuum motor

B 25 KW

Wiring diagram

As at: 05/24/08 Time:08:18

Pos.	Description	Reference
C 1	Capacitor 0,15 uF	P...383 E
K 1	Cable clamp	P...383 H
S 1	Tumbler switch LED	P...240
SM	Vacuum motor	P...870 E