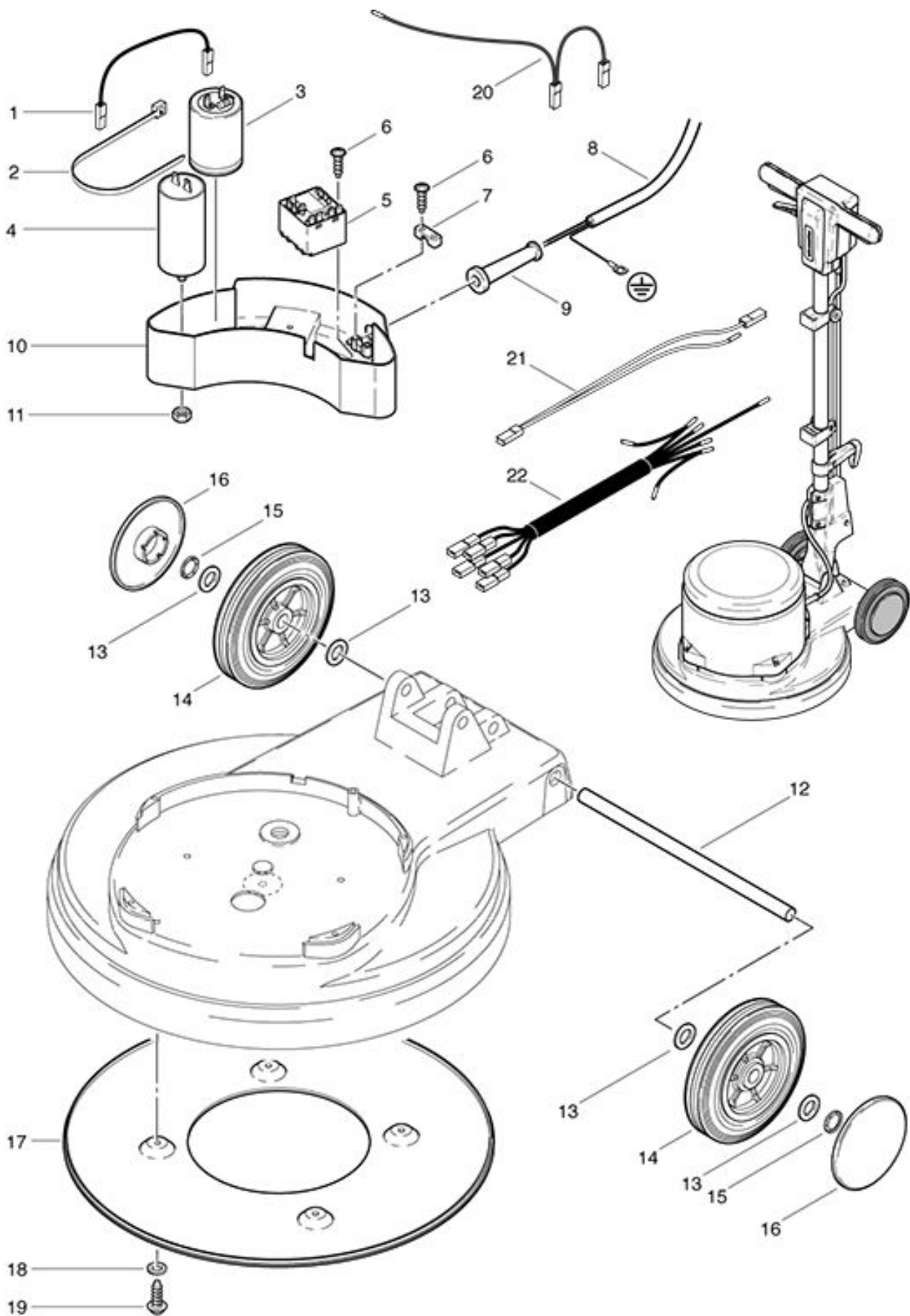


Duo Speed Electronic and drive axle

As at: 05/28/08 Time:03:39



Duo Speed

Electronic and drive axle

As at: 05/28/08 Time:03:39

Pos.	Description	Reference
01	Wiring black	742.331
02	Cable tie 292 mm	P...424
03	Capacitor 125 uF 47 kOhm	742.328
04	Capacitor 20 uF	P...385 E
05	Relais white	P...350
06	Screw 5x20	P...515 K
07	Cable clamp	4611085
08	Cable-tree	742.313
09	Antikink sleeve	660011014
10	Housing	741.315
11	Hexagon nut M 8	P...490 E
12	Wheel axle	742.040
13	Washer M 14	P...496 Y
14	Wheel 160 mm	741.075
15	Retaining ring	P...500 M
16	Wheel cover red	741.076
17	Bottom plate	742.146
18	Serated lock washer M 5	P...498 D
19	Sheet metal screw 4,8x13	P...483 B
20	Wiring gris	790.355
21	Wiring white	790.354
22	Wiring	790.353