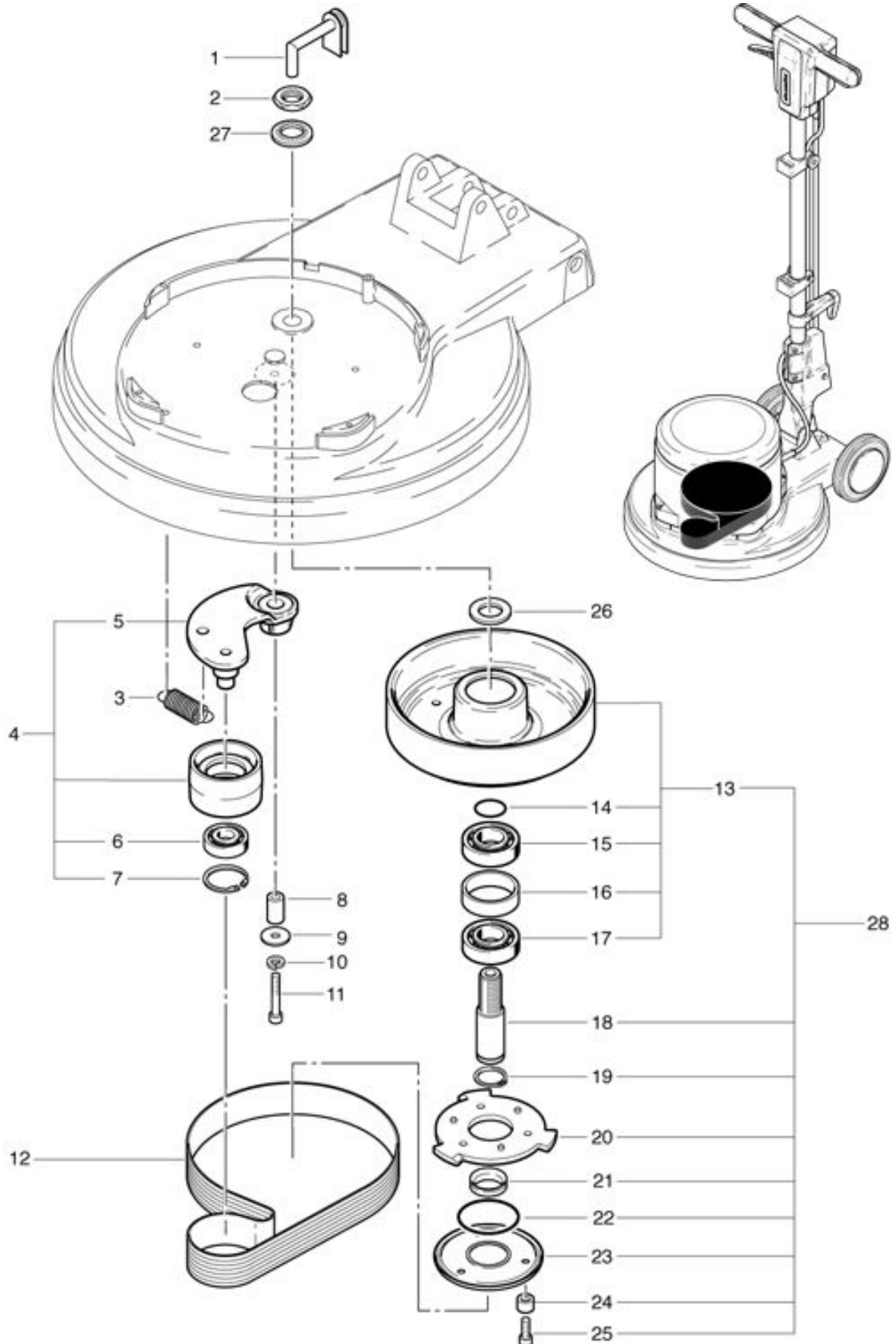


Duo Speed
Pieces de commande

As at: 05/28/08 Time:03:40



Duo Speed

Pieces de commande

As at: 05/28/08 Time:03:40

Pos.	Description	Reference
01	Solution tube	742.064
02	Nut	604611507
03	Belt tensioner	635611363
04	Belt tension pulley compl.	742.100
05	Tensioner axle	742.133
06	Ball bearing	P...316 O
07	Retaining washer	P...513 G
08	Sleeve	742.135
09	Washer M 8	P...496 Q
10	Lock washer M 8	P...498 N
11	Hexagon screw M 8x45	P...487 T
12	Poly-V belt	6390520
13	Drive pulley complete including Items 14-17	742.130
14	O-ring 25x2.62	P...964 A
15	Ball bearing	P...316 P
16	Washer	3611851
17	Ball bearing	P...316 Q
18	Main shaft	741.125
19	Retaining washer	P...513 D
20	Star wheel	742.141
21	V-formed ring	P...343 A
22	O-ring 52x2.62	P...964 B
23	Brush support	742.128
24	Distance ring 6x8/4 mm	742.129
25	Hexagon scrwe M 6x20	P...487 S
26	Washer	430.151
27	Locking screw	P...498 Q
28	Belt wheel pre-mounts	742.126