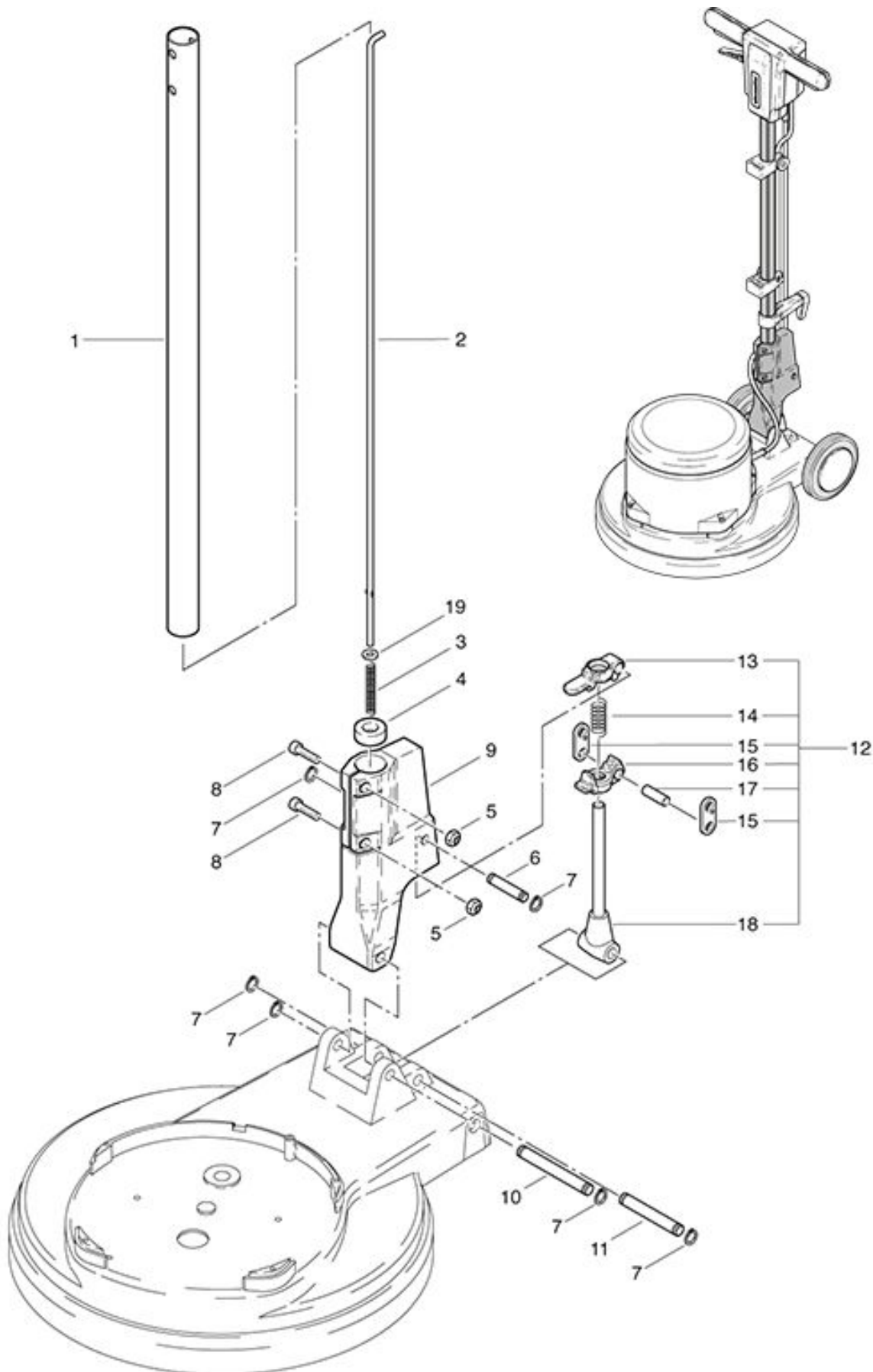


Duo Speed Shaft adjuster

As at: 05/28/08 Time:03:40



Duo Speed Shaft adjuster

As at: 05/28/08 Time:03:41

Pos.	Description	Reference
01	Shaft tube	742.410 L
02	Rod	742.212 L
03	Compressing spring	634711031
04	Guide sleeve	623711022
05	Nut M 6	P...490 D
06	Axle 20x50	672711018
07	Retaining washer	P...499 Q
08	Screw M 6x25	P...486 T
09	Shaft adjustment unit	742.260
10	Axle	672711016
11	Axle	672711017
12	Shaft adjuster, complete including lterms 13-18	2711133
13	Adjuster long	3711236
14	Compressing spring	634711020
15	Holder	4711014
16	Adjuster short	3711237
17	Axle 10x29	672711019
18	Adjuster shaft	741.270
19	Washer M 6	P...496 K