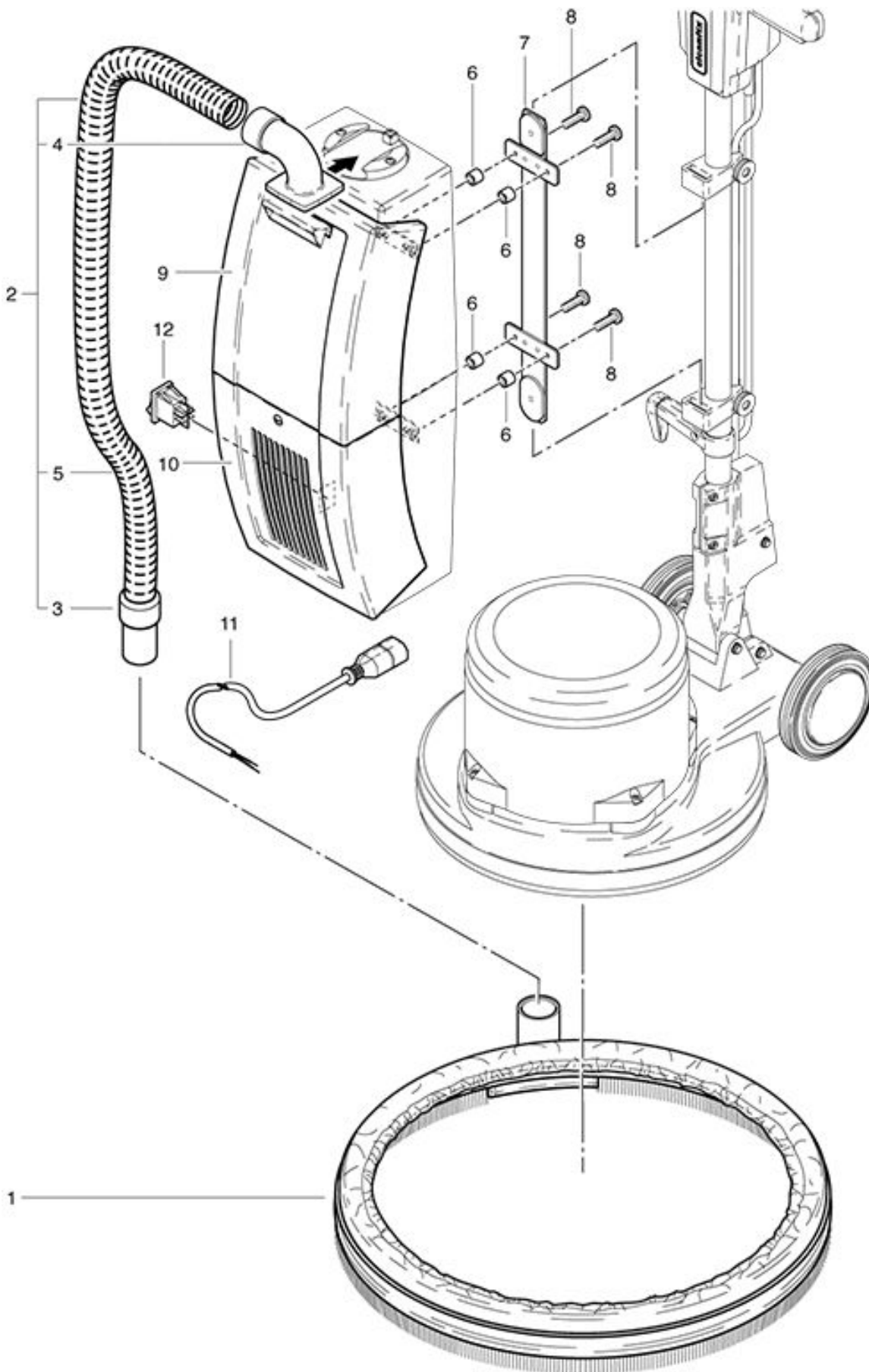


**Duo Speed  
Vacuum complete**

As at: 05/28/08 Time:03:41



## Duo Speed Vacuum complete

As at: 05/28/08 Time:03:41

<b>Pos.</b>	<b>Description</b>	<b>Reference</b>
01	Vacuum ring compl. Ø 530 mm	782.650
02	Suction hose complete, including items 3,4+5	780.930
03	Hose end connector 32 mm	P...562 C
04	Hose end connector	025.071
05	Suction hose	780.931
06	Distance piece 5x10x10	P...509 F
07	Support	780.942
08	Screw M 5x20	P...476 F
09	Dust-cover complet	025.111 L
10	Filter-cover preassembled	025.242 L
11	Electrical connection	780.937
12	Tumbler switch LED	P...240 F