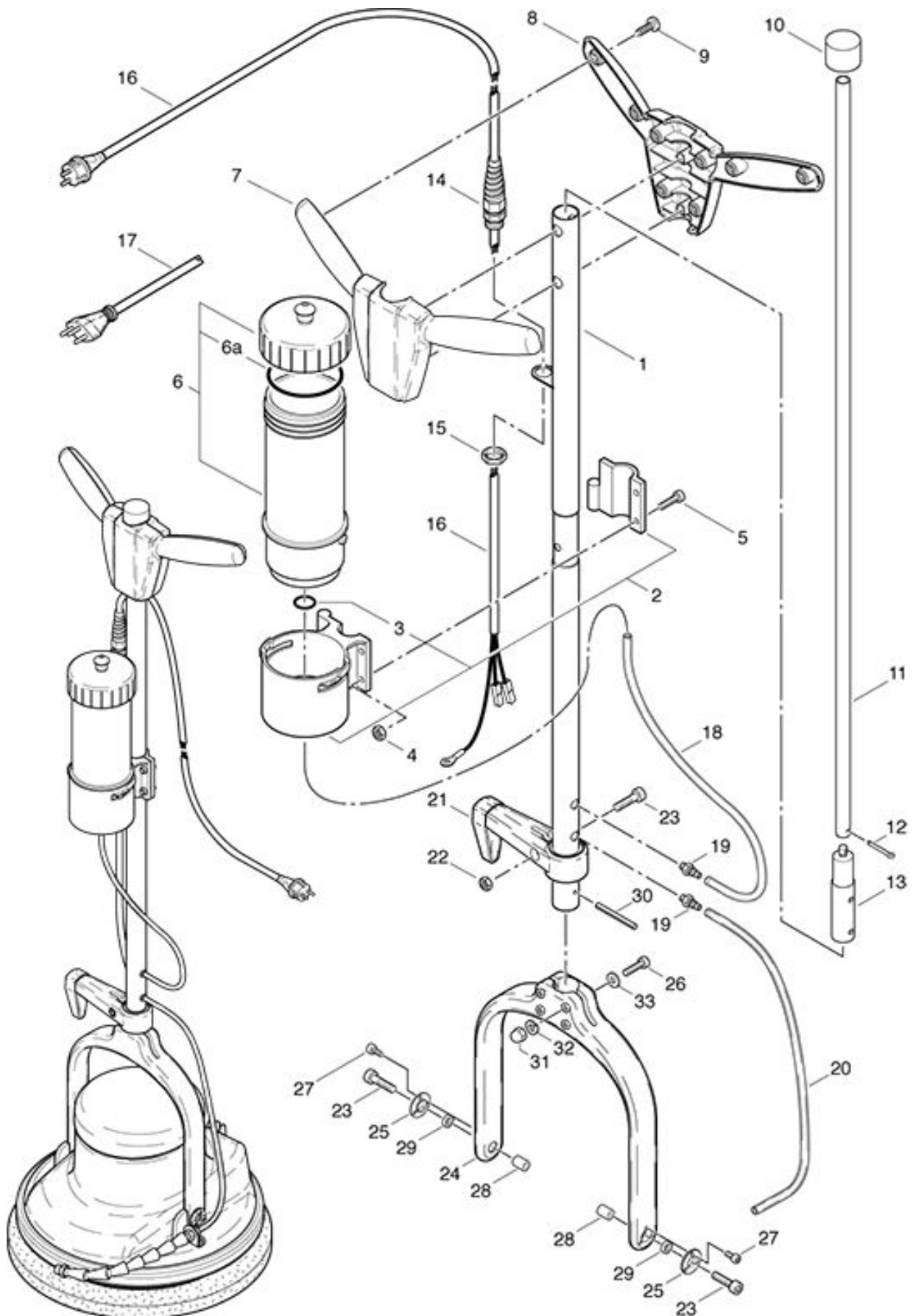


FloorMac 300
Handle compl.

As at: 05/28/08 Time:01:55



FloorMac 300

Handle compl.

As at: 05/28/08 Time:01:55

Pos.	Description	Reference
01	Shaft tube	718.203
02	Bottle support	718.910
03	O-Ring 3.53x15.47 mm	718.909
04	Hexagon nut M 5	P...492 G
05	Hexagon screw M 5x16	P...486 I
06	Solution bottle	718.912
06a	Joint circulaire à des couvertures	718.907
07	Top part front side	718.201
08	Top part back side	718.202
09	PT screw	KA 50x14 mm P...480 S
10	Operation button	718.911
11	Bar to metering unit	718.915
12	Split pin 2.5x16 mm	P...489 N
13	Pressure valve	718.925
14	Cable grommet	P...279 K
15	Conter nut PG 9	P...279 H
16	Mains cable VDE 7,5 m	P...282
17	Mains cable SEV 7,5 m	P...275
18	Pressure hose	4x6x320 mm 718.160
19	Screw- in socket M 5 H-6	718.914
20	Pressure hose	4x6x640 mm 718.161
21	Cable hook	3711029
22	Hexagon nut M 6	P...490 D
23	Hexagon socket screw	M 6x25 P...486 T
24	Turning bar	718.204
25	Bearing cover	718.205
26	Hexagon socket screw	M 5x20 P...486 K
27	Hexagon socket screw	M 4x6 P...480 N
28	Distance piece	718.207
29	Ball bearing	718.206
30	Heavy spring pin 4x40	P...484 B
31	Castellated nut M 5	P...495 F
32	Lock washer M 5	P...500 D
33	Washer M 5	P...496 H