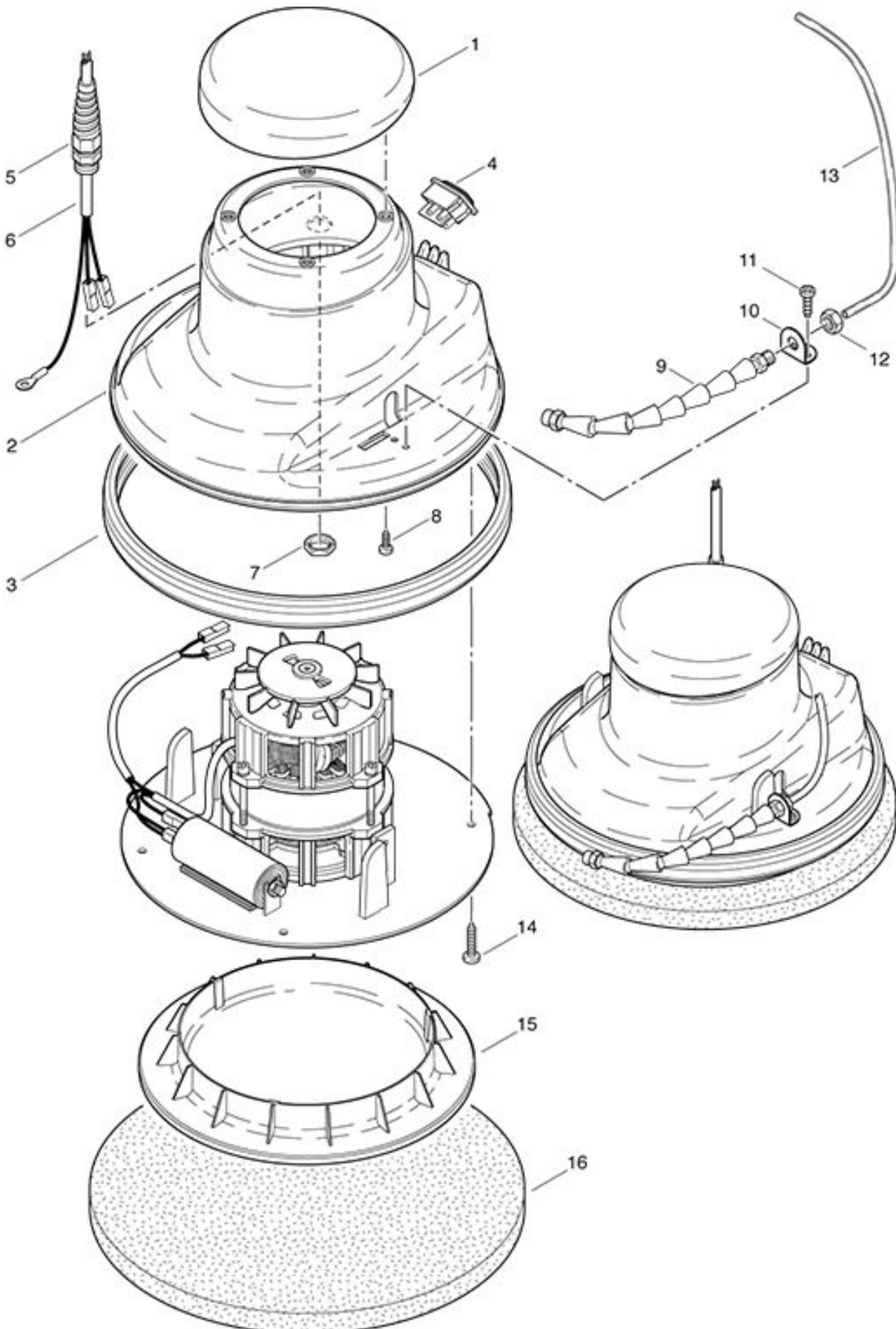


**FloorMac 300**  
**Motor housing**

As at: 05/28/08 Time:01:57



# FloorMac 300

## Motor housing

As at: 05/28/08 Time:01:57

<b>Pos.</b>	<b>Description</b>	<b>Reference</b>
01	Cap	718.067
02	Motor housing	718.065
03	Buffer for housing	718.054
04	Switch	718.068
05	Cable grommet	P...279 K
06	Mains cable VDE 7,5 m	P...282
06.	Mains cable SEV 7,5 m	P...275
07	Conter nut PG 9	P...279 H
08	PT screw WN 1412	KA 40x12 mm
09	Hinge compl.	718.075
10	Holding plate	718.069
11	PT screw WN 1411	KA 50x14 mm
12	Hexagon nut M 10	P...491 O
13	Hose 4x6x640 mm	718.161
14	PT screw WN 1412	KA 50x18 mm
15	Driving disc for pads	718.070
16	White pad, Ø 33 cm	718.901
16.	Microfaser pad, Ø 33 cm	718.906