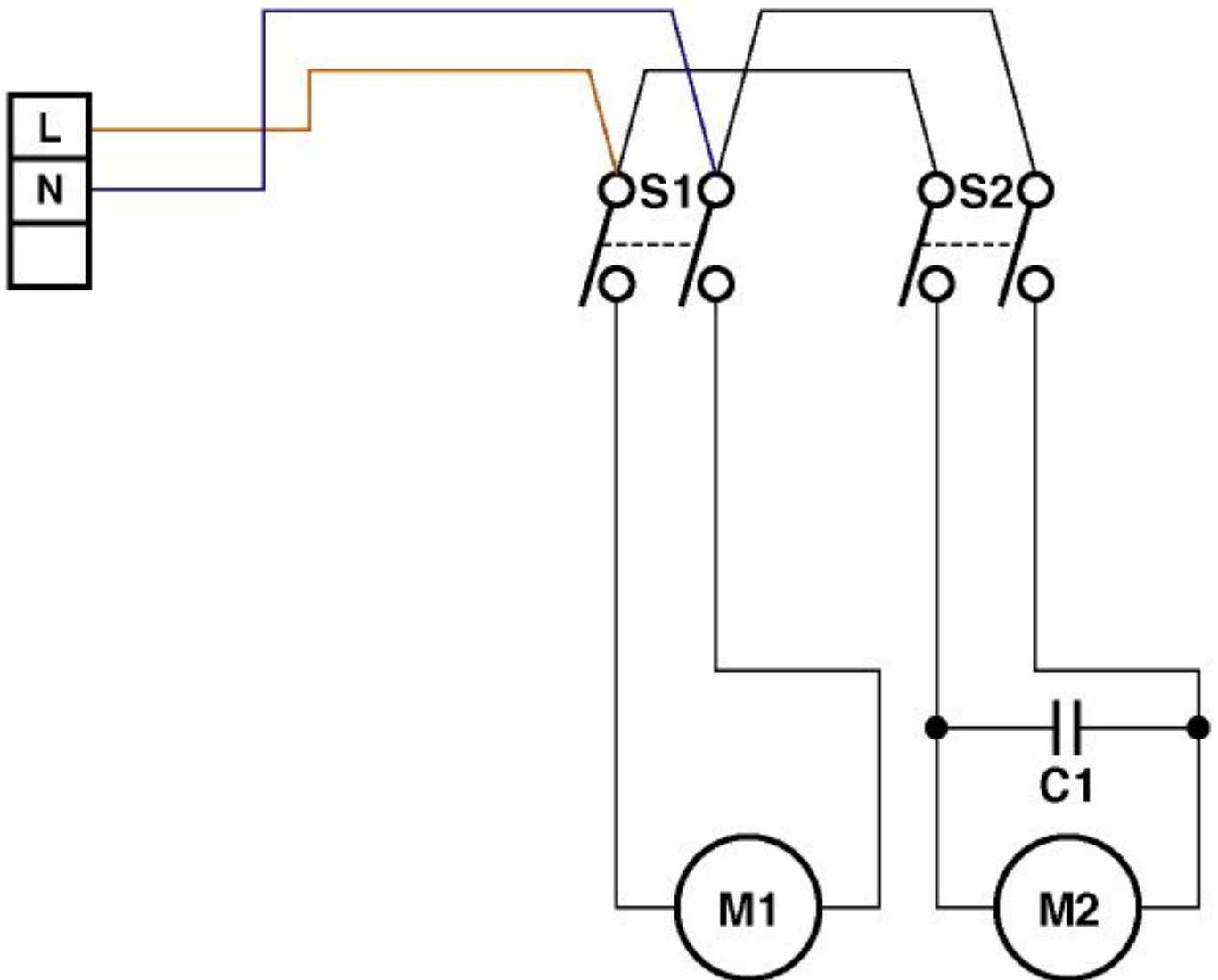


Stromlaufplan Homecleaner



- S1 = Schalter 1
- S2 = Schalter 2
- C1 = Kondensator 0,15 μ F
- M1 = Pumpe
- M2 = Saugmotor

Home-Cleaner

Wiring plan

As at: 05/24/08 Time:06:37

Pos.	Description	Reference
01	Switch 1	S1
02	Switch 2	S2
03	Condensator 0,15 μ F	C1
04	Pump	M1
05	Vacuum motor	M2