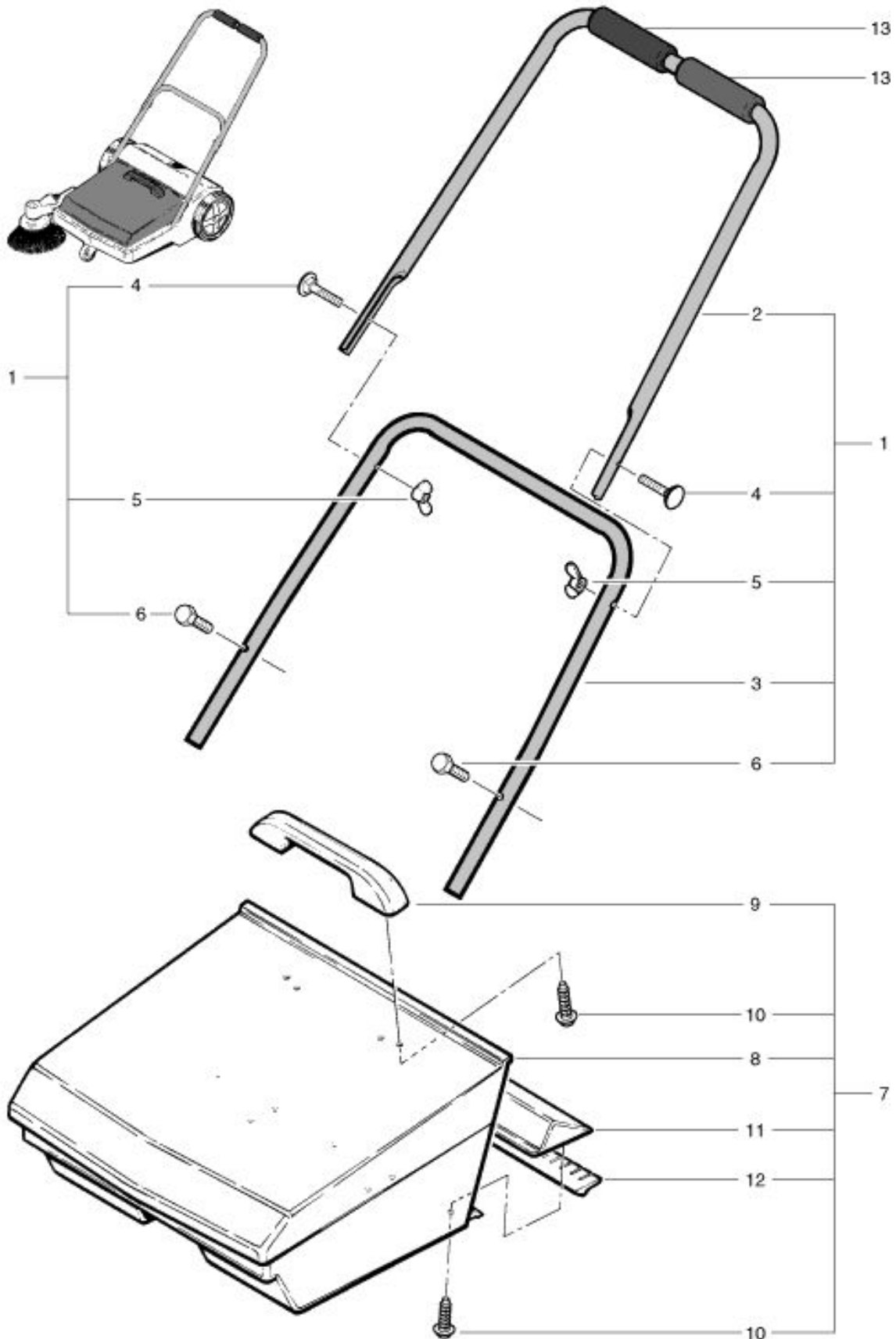


HS 700 S Hopper

As at: 05/28/08 Time:04:14



HS 700 S

Hopper

As at: 05/28/08 Time:04:14

Pos.	Description	Reference
01	Complete handle including Items 2-6	077.800
02	Upper handle	077.810
03	Lower handle	077.815
04	Screw M 6x40 mm	P...483K
05	Wing nut M 6	P...494H
06	Hexagon screw M 6x35 mm	P...470W
07	Hopper complete including Items 8-12	077.500
08	Hopper	077.550
09	Hopper handle	077.560
10	PT-screw 50x16 mm	P...516H
11	Floor blade retainer	077.565
12	Floor blade	077.570
13		077.820