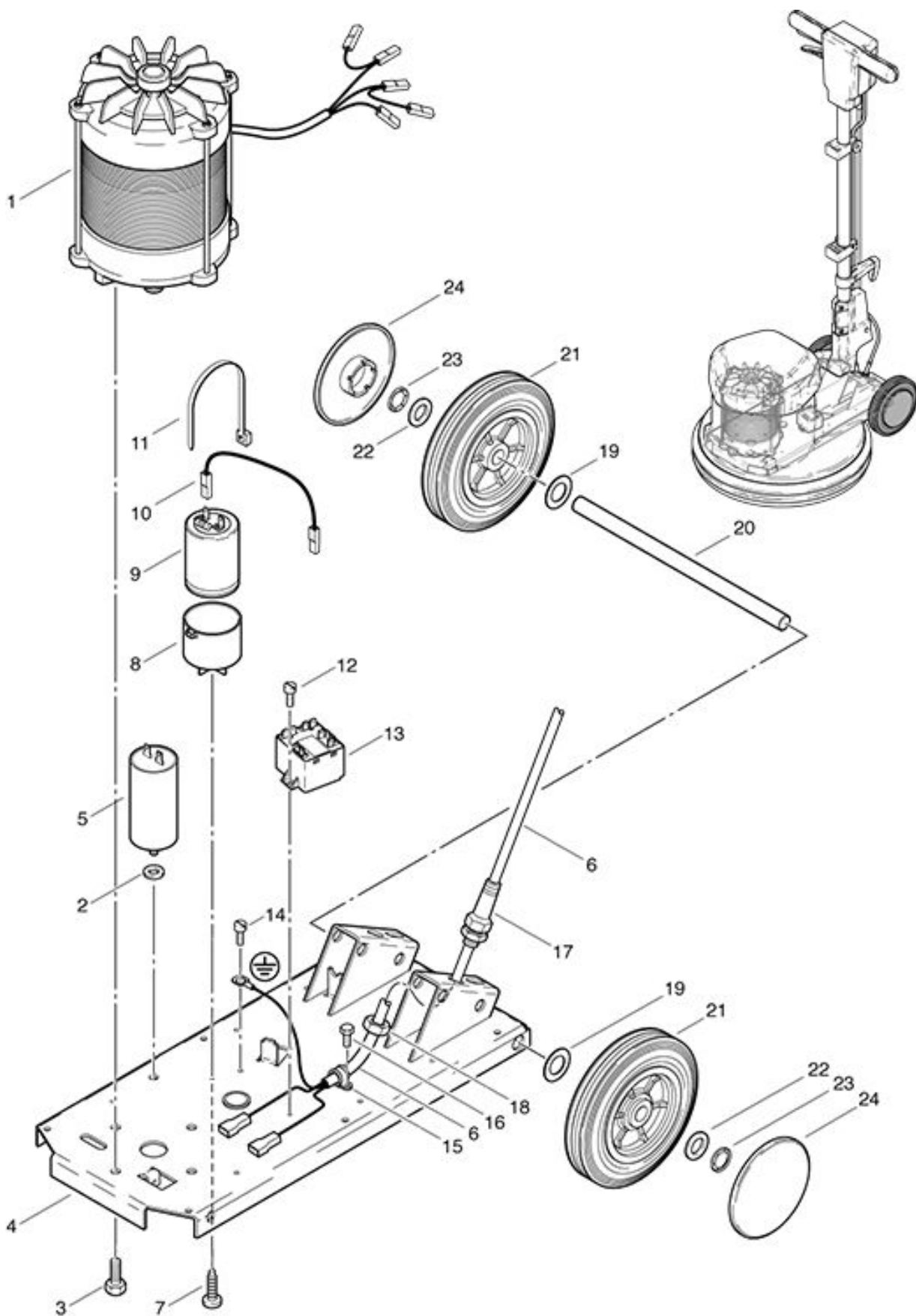


# PowerDisc High-Speed 400 Electronic and drive axle

As at: 05/28/08 Time:02:49



# PowerDisc High-Speed 400

## Electronic and drive axle

As at: 05/28/08 Time:02:49

<b>Pos.</b>	<b>Description</b>	<b>Reference</b>
01	Motor 2 Pol	720.121C
02	washer M 8	P...496 Q
03	Hexagon screw M 8x16	P...471 C
04	Basic sheet metal	720.120
05	'Capacitor 20 $\mu$ F	720.122
06	Cable-tree	720.312
07	Screw KA40x16	P...516 C
08	Holder for capacitor	741.316
09	Capacitor 125 $\mu$ F 47 kOhm	742.328
10	Wiring black	742.331
11	Cable tie 292 mm	P...424
12	Srew M 4x8	P...481 Q
13	Relais with	P...350
14	Screw M 4x8	P...481 Q
15	Cable support	P...281
16	Screw M 5x12	P...483 P
17	Cable grommet	P...279 K
18	Conter nut PG 9	P...279 H
19	Washer 16x28x0.5 mm	P...510
20	Wheel axe $\varnothing$ 320 mm	720.040
21	Wheel 160 mm	741.075
22	Washer M 14	P...496 Y
23	Retaining ring	P...500 M
24	Wheel cover red	741.076