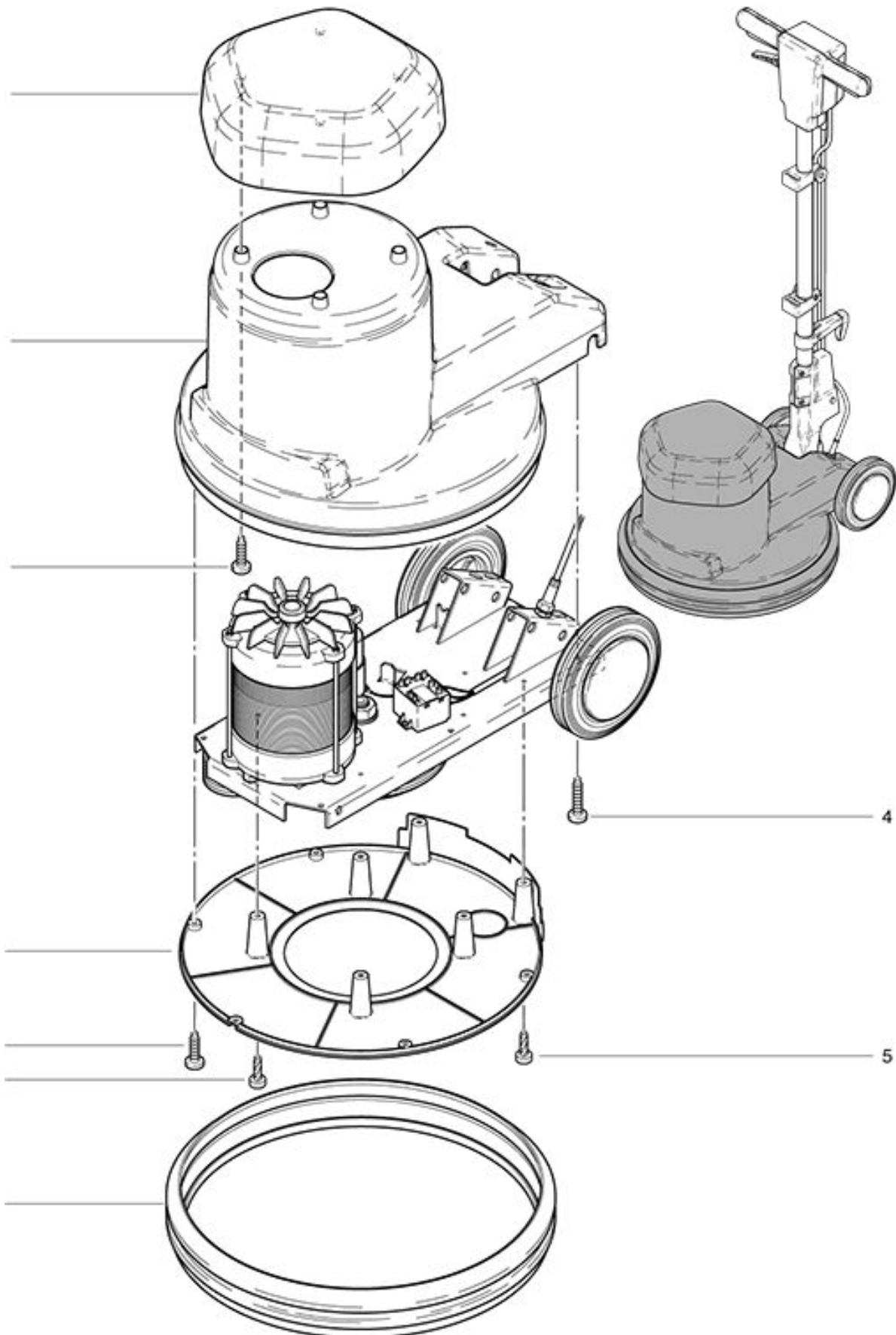


**PowerDisc High-Speed 400**  
**Motor housing**

As at: 05/28/08 Time:03:04



# PowerDisc High-Speed 400

## Motor housing

As at: 05/28/08 Time:03:04

<b>Pos.</b>	<b>Description</b>	<b>Reference</b>
01	Cap	720.067
02	Motor housing	720.065
03	PT screw KA 50x16	P...515 H
04	PT screw KA 50x18	P...516 Q
05	Screw M 5x12	P...483 P
06	Bottom plate	720.146
07	Buffer for housing	720.054