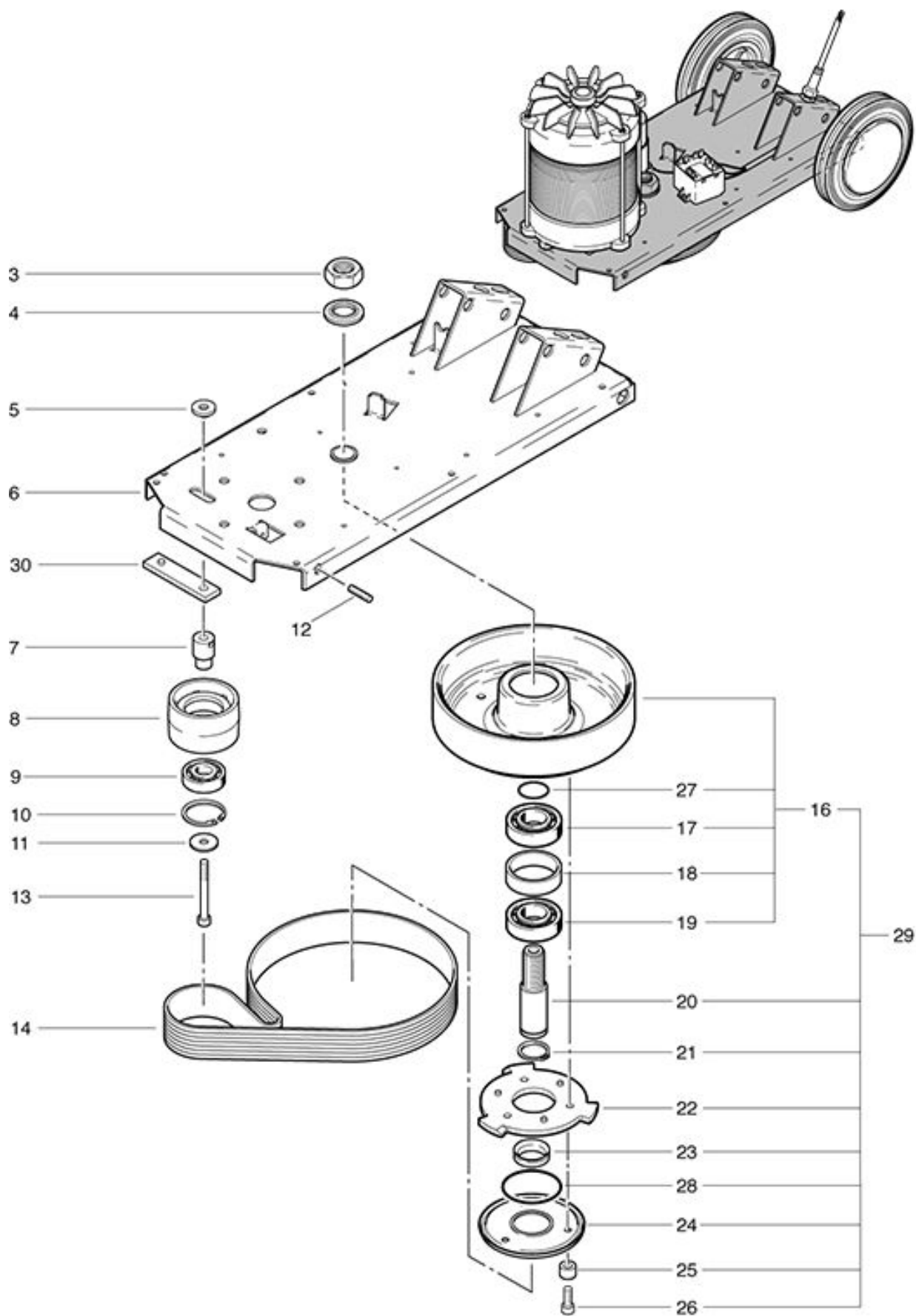


PowerDisc High-Speed 400 Driving pieces

As at: 05/28/08 Time:02:45



PowerDisc High-Speed 400

Driving pieces

As at: 05/28/08 Time:02:45

Pos.	Description	Reference
03	Hexagon nut M 20 x 1,5	P...492 R
04	Locking screw	P...498 Q
05	Groove nut	720.125
06	Chassis	720.120
07	Federation tap	720.127
08	Belt tension pulley	742.117
09	Ball bearing	P...316 O
10	Retaining washer	P...513 D
11	Washer M8x25	P...496 Q
12	Threaded pin M6x25	P...513 K
13	Hexagon screw M 8x45	P...487 T
14	Poly-V belt	720.115
16	Drive pulley complete including Items 17-19+27	742.130
17	Ball bearing	P...316 P
18	Washer	3611851
19	Ball bearing	P...316 Q
20	Main shaft	742.125
21	Retaining washer	P...513 D
22	Star wheel	742.141
23	V-formed ring	P...343 A
24	Brush support	742.128
25	Distance ring 6x8/4 mm	742.129
26	Hexagon screw M 6x20	P...487 S
27	O-ring 25x2.62	P...964 A
28	O-ring 52x2.62	P...964 B
29	Belt wheel pre-mounts	742.126
30	Spans-Rail	720.128