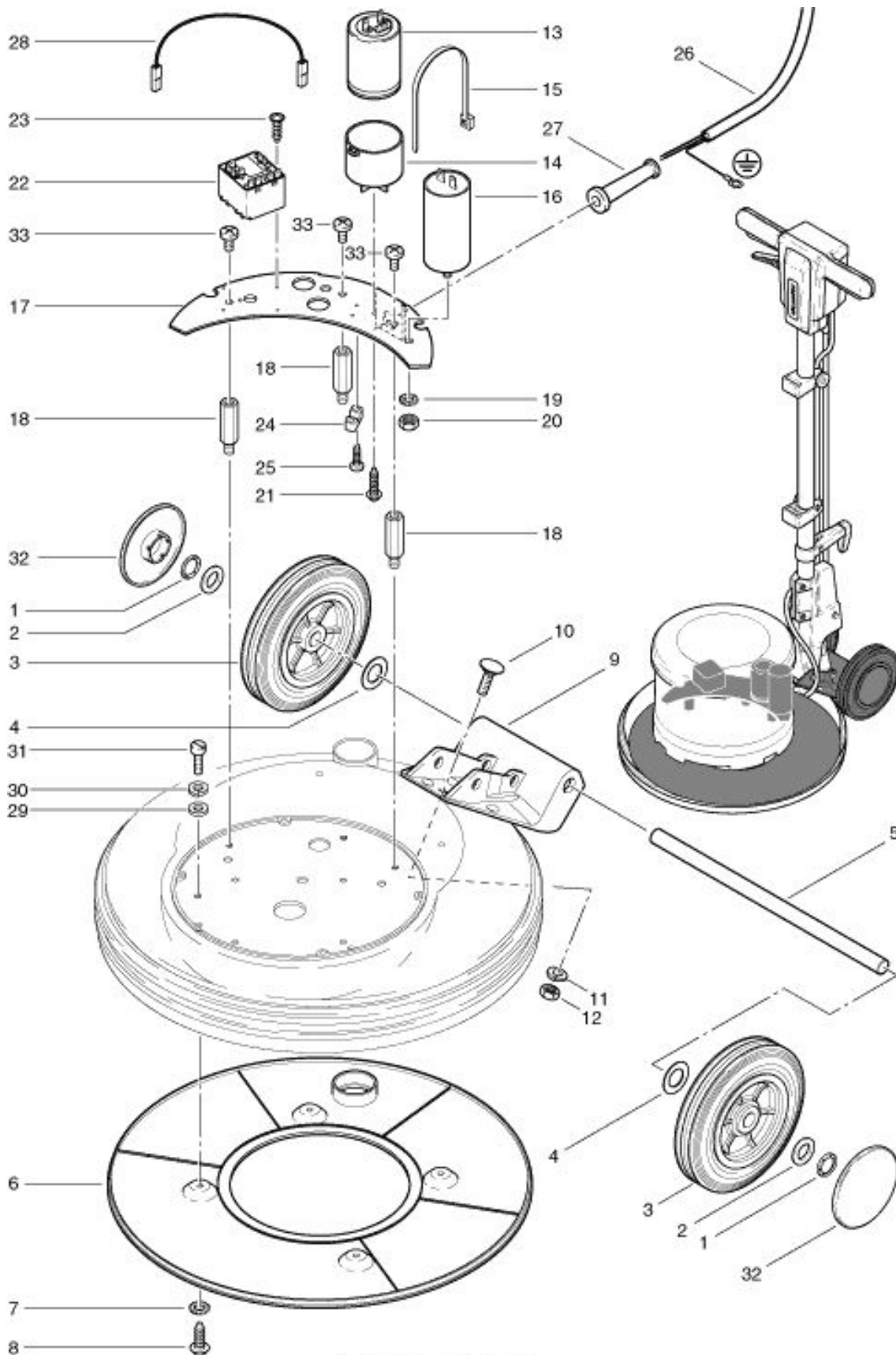


R 44-120
Electronic and drive axle

As at: 05/28/08 Time:03:13



Elektronik und Fahrwerk

R 44-120

Electronique et train de transport / Electronic and drive axle

B 3-10.2003

R 44-120

Electronic and drive axle

As at: 05/28/08 Time:03:13

Pos.	Description	Reference
01	Retaining ring	P...500 M
02	Washer M 14	P...496 Y
03	Wheel 160 mm	741.075
04	Washer 16x28x0.5 mm	P...510
05	Wheel axle	742.060
06	Bottom plate	749.146
07	Serrated lock washer M 5	P...498 D
08	Sheet metal screw 4,8x13	P...483 B
09	Wheel support	741.080
10	Screw M 6x23	P...485 M
11	Serrated lock washer M 8	P...500
12	Hexagon screw M 8	P...491 M
13	Capacitor 125 µF	742.328
14	Holder for capacitor	741.316
15	Cable tie 292 mm	P...424
16	Capacitor 25 µF	P...385 J
17	Reinforcement piece	P...405 F
18	Distance ring dm 6	P...484 U
19	Lock washer M 8	6610419
20	Hexagon screw M 8	P...491 F
21	Self-tapping screw M 4x20	P...515 G
22	Relais	P...350
23	Screw M 3x8	P...476 O
24	Cable clamp	742.321
25	Screw M 5x16	P...476 G
26	Cable-tree	742.313
27	Antikink sleeve	660011014
28	Cable black	742.331
29	Washer M 4	P...497 D
30	Serrated lock washer M 4	P...498 C
31	Screw M 4x8	P...478 B
32	Wheel cover red	741.076
33	Screw M 6x8	P...475 P