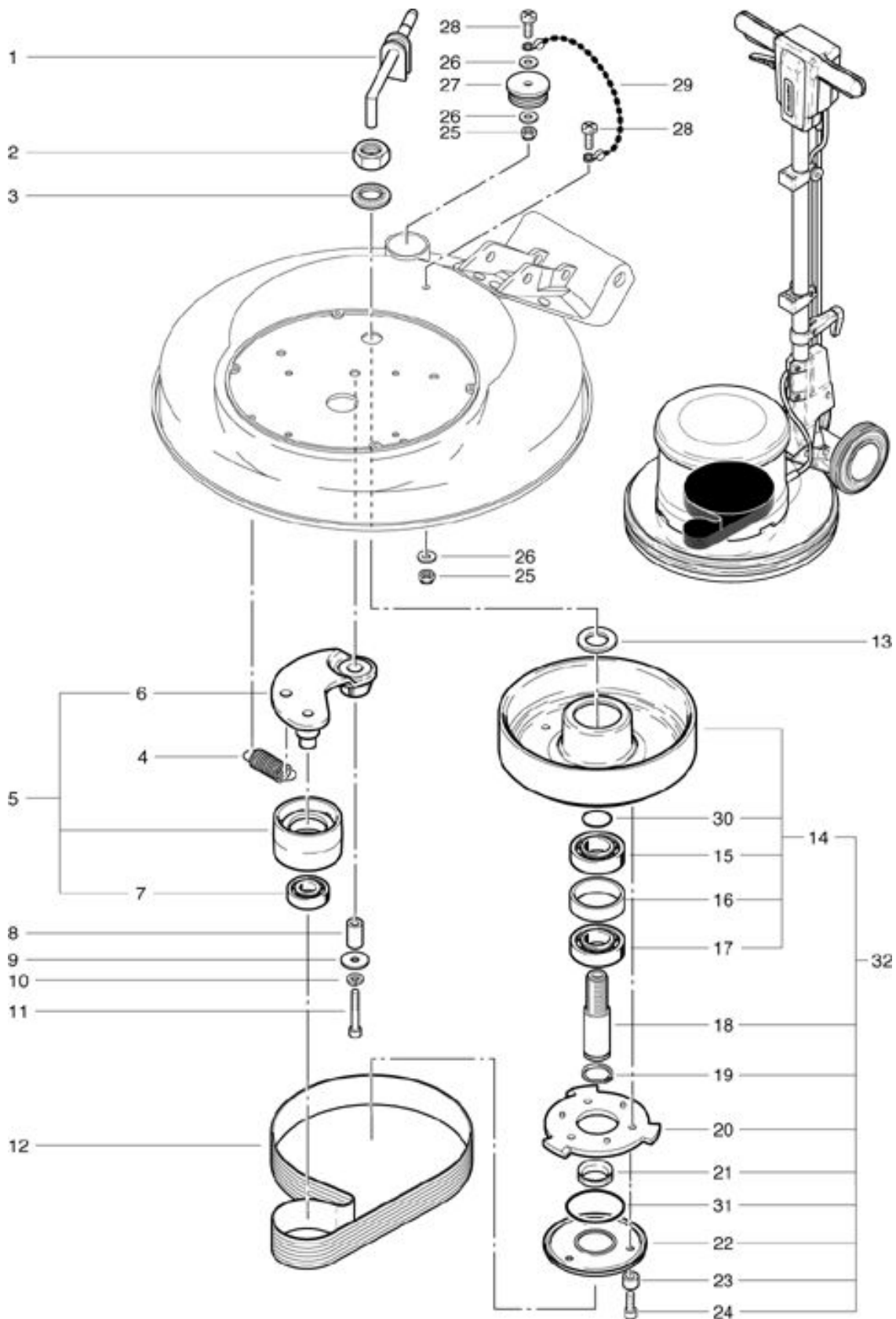


**R 44-120**  
**Driving pieces**

As at: 05/28/08 Time:03:12



## R 44-120

### Driving pieces

As at: 05/28/08 Time:03:12

<b>Pos.</b>	<b>Description</b>	<b>Reference</b>
01	Solution tube	748.064
02	Hexagon nut M 20 x 1.5	P...492 R
03	Locking screw	P...498 Q
04	Belt tensioner	741.069
05	Belt tension pulley compl. including Items 5+7	742.100
06	Tensioner axle	742.136
07	Ball bearing	P...316 O
08	Sleeve	742.135
09	Washer M 8	P...496 Q
10	Lock washer M 8	P...498 N
11	Hexagon screw M 8x35	P...487 X
12	Poly-V belt	6390520
13	Washer	430.151
14	Drive pulley complete including Items 15-17+30	742.130
15	Ball bearing	P...316 P
16	Washer	3611851
17	Ball bearing	P...316 Q
18	Main shaft	741.125
19	Retaining washer	P...513 D
20	Star wheel	742.141
21	V-formed ring	P...343 A
22	Brush support	742.128
23	Distance ring 6x8/4 mm	742.129
24	Hexagon screw M 6x20	P...487 S
25	Security nut M 4	P...493 D
26	Washer M 4	P...497 C
27	Tap	747.065
28	Screw M 4x14	P...486 F
29	Chain	747.066
30	O-Ring 25x2.62	P...964 A
31	O-ring 52x2.62	P...964 B
32	Belt wheel pre-mounts	742.126