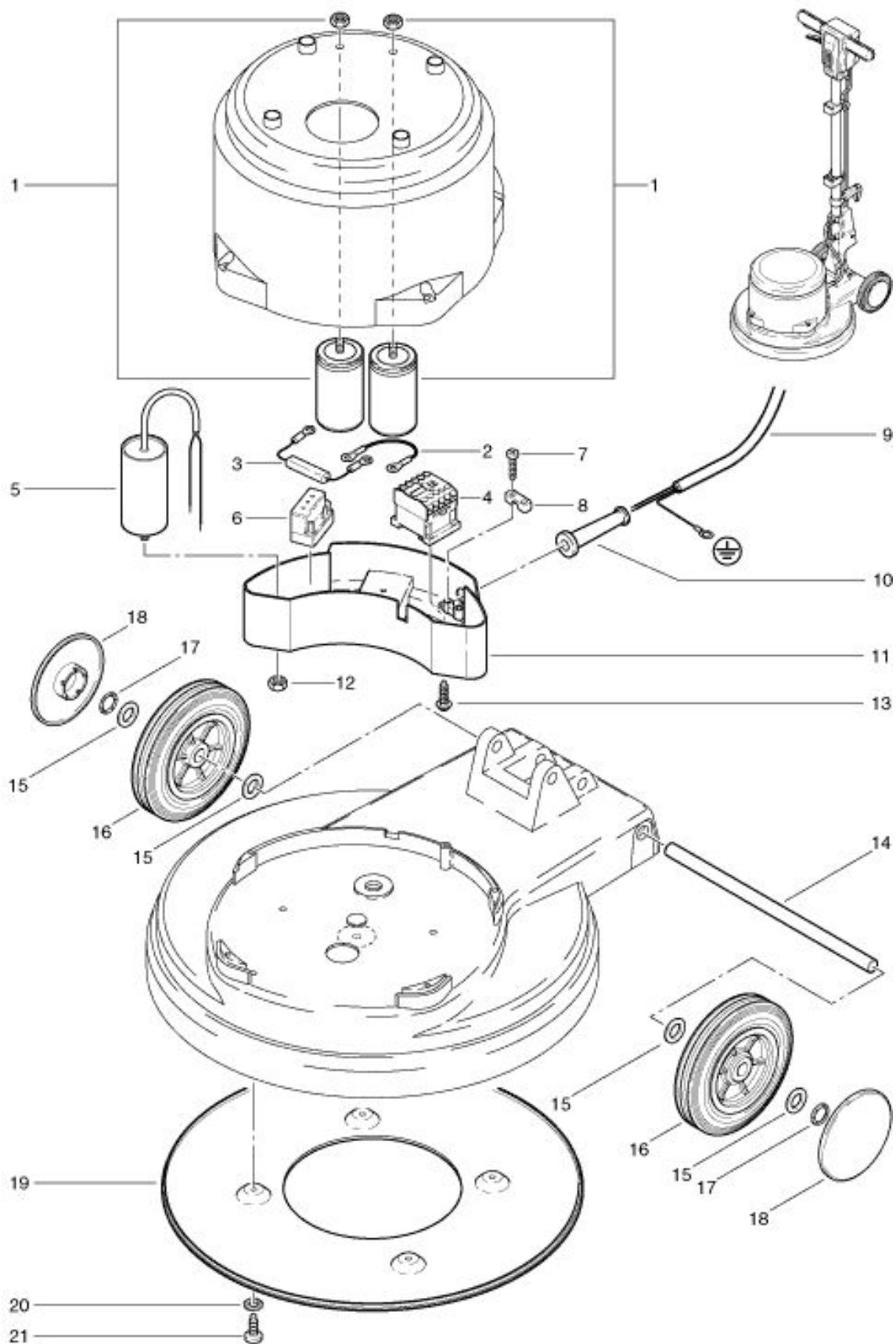


**R44-180 / 120V**  
**Electronic and drive axle**

As at: 05/28/08 Time:03:22



# R44-180 / 120V

## Electronic and drive axle

As at: 05/28/08 Time:03:22

<b>Pos.</b>	<b>Description</b>	<b>Reference</b>
01	Capacitor 1000 µF	P...385 M
02	Wiring brown	742.362
03	Resistor 8.2 kOhm	742.360
04	Power protector	P...353 A
05	Capacitor 90 µF	P...385 N
06	Relais	6630434
07	Screw 5x20	P...515 K
08	Cable clamp	4611085
09	Cable-tree	742.313
10	Antikink sleeve	660011014
11	Housing	742.315
12	Hexagon nut M 8	P...490 E
13	PT srew KA 40x18	P...516 G
14	Wheel axe	742.040
15	Washer M 14	P...496 Y
16	Wheel 140 mm	741.074
17	Retaining ring	P...500 M
18	Wheel cover red	741.076
19	Bottom plate	742.146
20	Serated lock washer M 5	P...498 D
21	Sheet metal screw 4,8x13	P...483 B