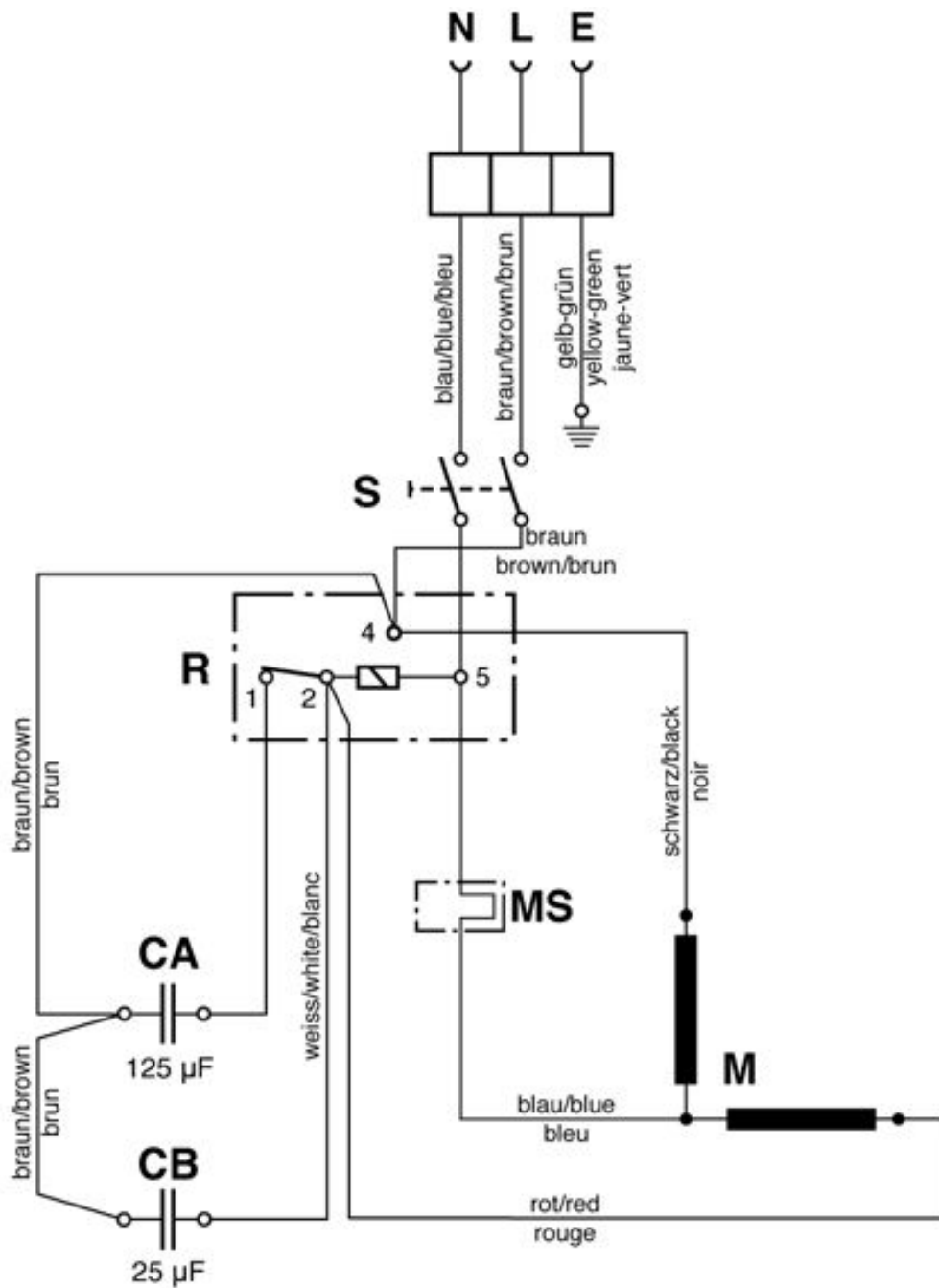


# R 44-450 High-Speed Wiring diagram

As at: 05/28/08 Time:03:35



- S = Schalter Bürstmotor / Tumbler switch for motor / Interrupteur pour moteur
- R = Startrelais / Relais / Relais de démarrage
- CA = Anlaufkondensator 125 µF / Capacitor 125 µF / Capaciteur 125 µF
- CB = Betriebskondensator 25 µF / Capacitor 25 µF / Capaciteur 25 µF
- M = Motor / Motor / Moteur
- MS = Motorschutzschalter

# R 44-450 High-Speed Wiring diagram

As at: 05/28/08 Time:03:35

<b>Pos.</b>	<b>Description</b>	<b>Reference</b>
CA	Capacitor 125 uF	752.328
CB	Capacitor	P...385 J
M	Motor RA 44-450	752.121
R	Relais	P...350
S	Trumbler switch for motor	6650454