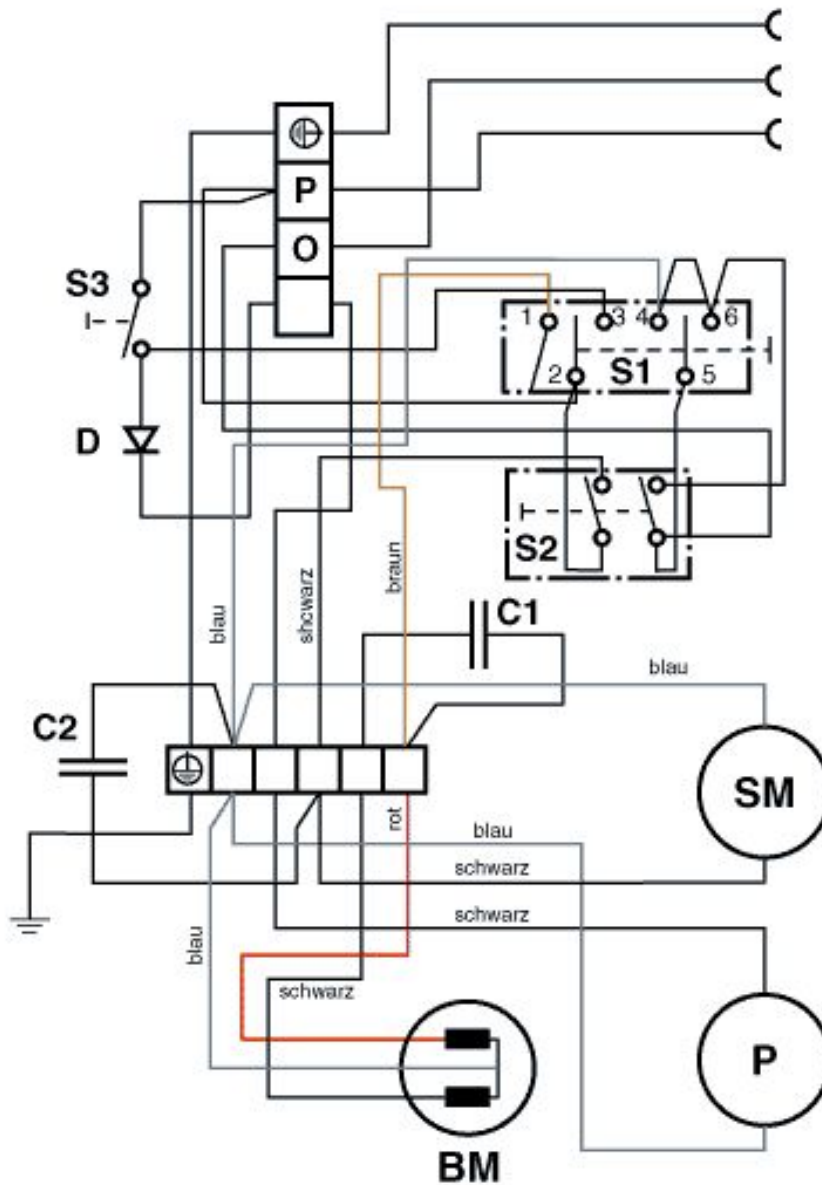


Stromlaufplan RA 300 E



- S1 = Wippenschalter B rstmotor-Pumpe
- S2 = Wippenschalter Saugmotor
- S3 = Tastschalter Pumpe
- C1 = Betriebskondensator
- C2 = Entst rkondensator
- D = Diode
- BM = B rstmotor
- P = Pumpe
- SM = Saugmotor

RA 300 E

Wiring plan

As at: 05/27/08 Time:05:11

Pos.	Description	Reference
BM	Brush motor	300.281
C1	Working capacitor	P...385I
C2	Capacitor	P...387A.
D	Diode	
P	Pump NDS-L	P...815
S1	Tumbler switch brush motor - pump	P...240M
S2	Tumbler switch vacuum motor	P...240
S3	Switch for pump	950.453
SM	Vacuum motor 800 W	P...870C