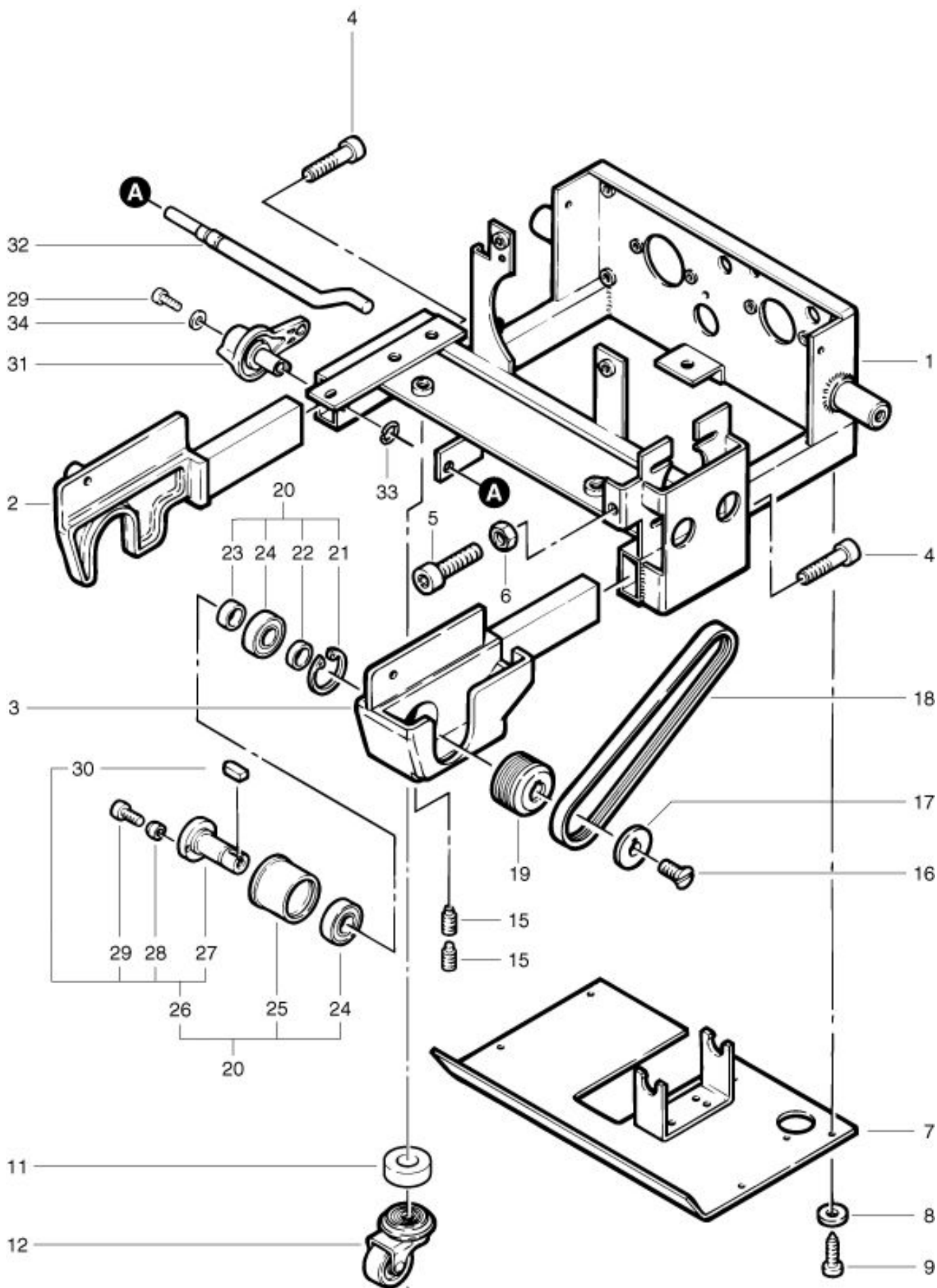


**RA 400 E**  
**Chassis**

As at: 05/27/08 Time:05:24



# RA 400 E

## Chassis

As at: 05/27/08 Time:05:24

<b>Pos.</b>	<b>Description</b>	<b>Reference</b>
01	Chassis	400.111
02	Right support	400.114
03	Left support	400.113
04	Hexagon socket screw M 6x25 mm	P...486T
05	Hexagon socket screw M 8x25 mm	P...487D
06	Hexagon nut M8	P...490E
07	Bottom plate	400.800
08	Washer M3	P...497B
09	Screw 2,9x9,5 mm	P...483G
11	Distance piece	440.491
12	Castor	400.388
13	Spring ring M8	P...498N
14	Hexagon socket screw M 18x25 mm	P...487D
15	Thread pin M 5x5 mm	P...482Z
16	Countersunk screw M 6x12 mm	P...487U
17	Attaching washer	P...499
18	Driving belt	420.425
19	Belt pulley	400.415
20	Brush axle complete including Items 21-30	400.401
21	Retaining ring I 32	P...514K
22	Distance ring 18/15x4 mm	400.414
23	Distance ring 13/15x6,8 mm	400.413
24	Ball bearing	P...316M
25	Bearing box	400.410
26	Axe complete including Items 27-30	400.405
27	Axle	400.411
28	Distance ring	400.418
29	Hexagon socket screw M 4x8 mm	P...488D
30	Wedge	400.420
31	Lever	411.460
32	Swivel lever	401.140
33	Security washer dm 6,35 mm	P...499X
34	Washer M5	P...496H