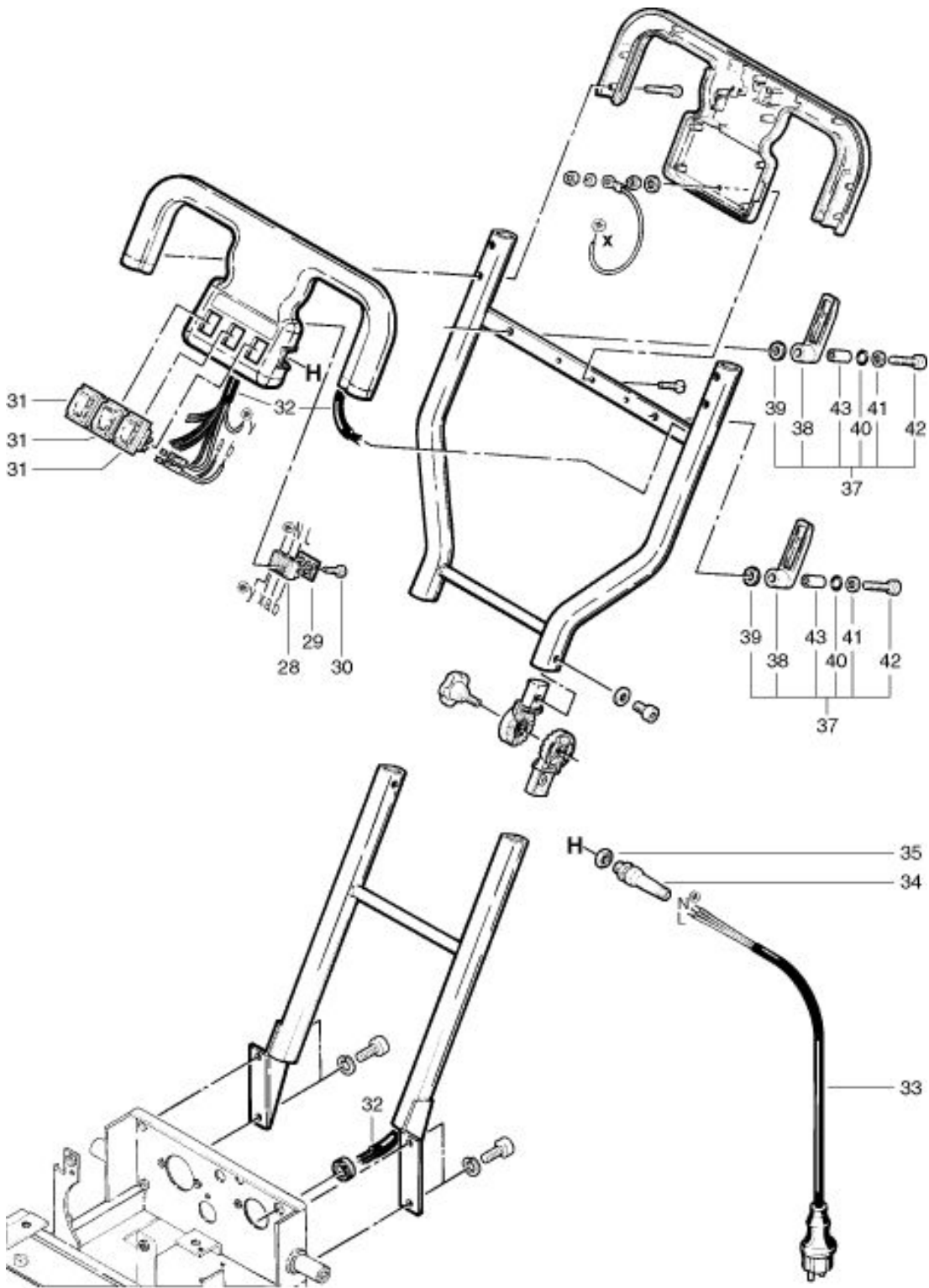


**RA 400 E**  
**Pushbar 2**

As at: 05/27/08 Time:05:26



**RA 400 E**

**B 11-12.2002**

# RA 400 E

## Pushbar 2

As at: 05/27/08 Time:05:26

<b>Pos.</b>	<b>Description</b>	<b>Reference</b>
28	Terminal 3 poles	P...383A
29	Marking plate	P...394
30	Screw 2,9x16 mm	P...516S
31	Tumbler switch	P...240
32	Wiring to handle	400.310S
33	Harness 600 mm	P...400B
34	Cable attachment	P...280D
35	Counter nut PG 9	P...279H
37	Catch for cable complete including Items 38-43	P...087
38	Catch for cable	P...087A
39	Washer dm 6/16x1 mm	P...497M
40	O-Ring 8,73x1,78 mm	P...088
41	Washer M 6	P...496K
42	Hexagon socket screw M 6x30 mm	P...488S
43	Distance piece 6/8x18,8 mm	P...087B