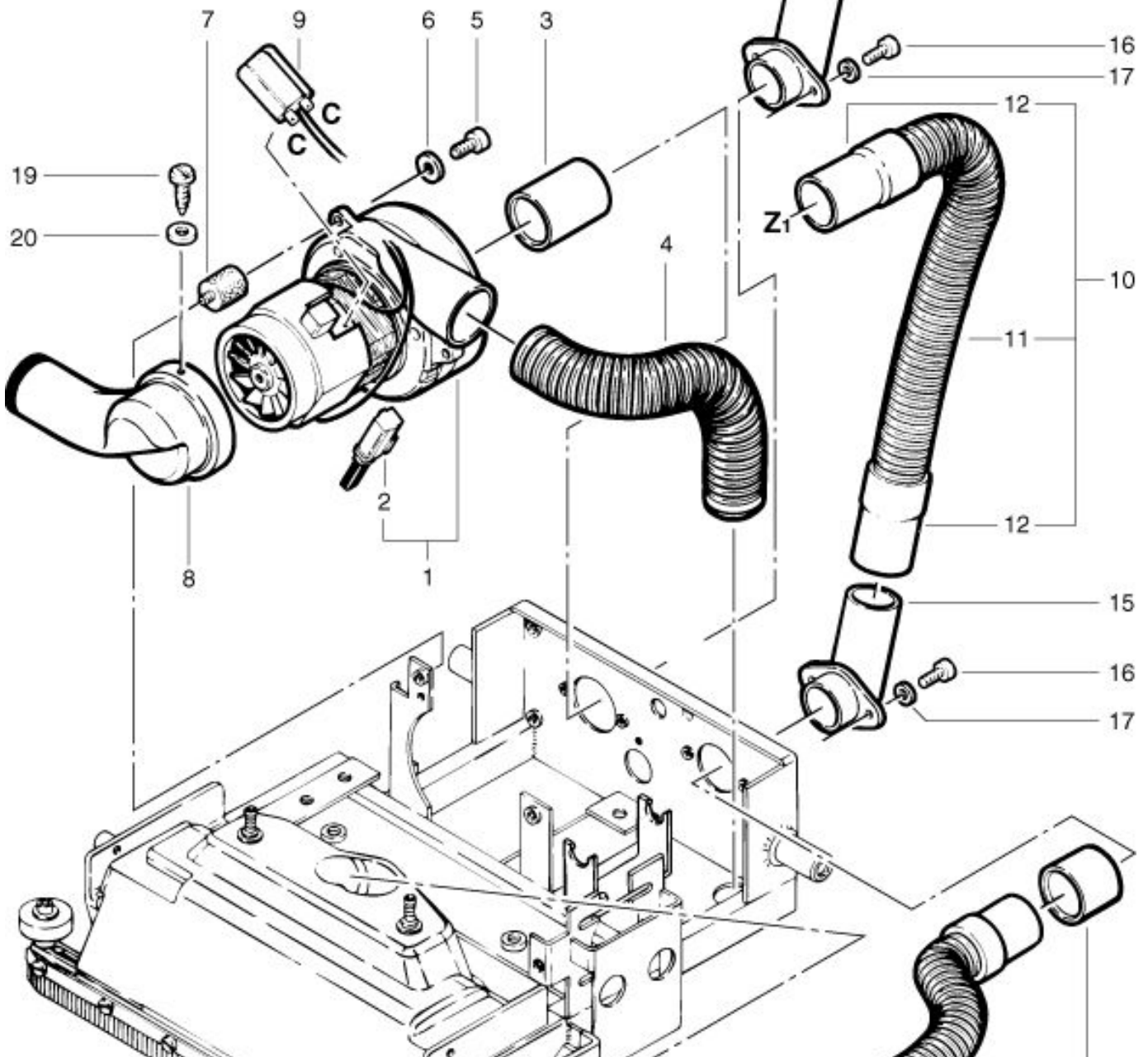
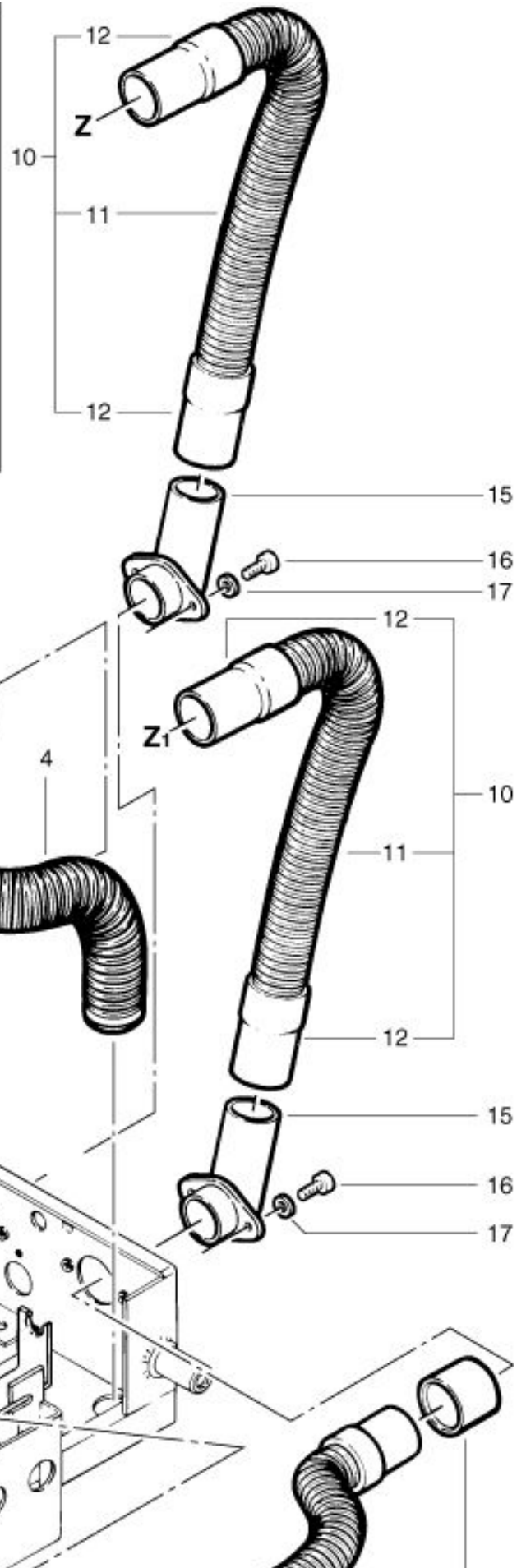
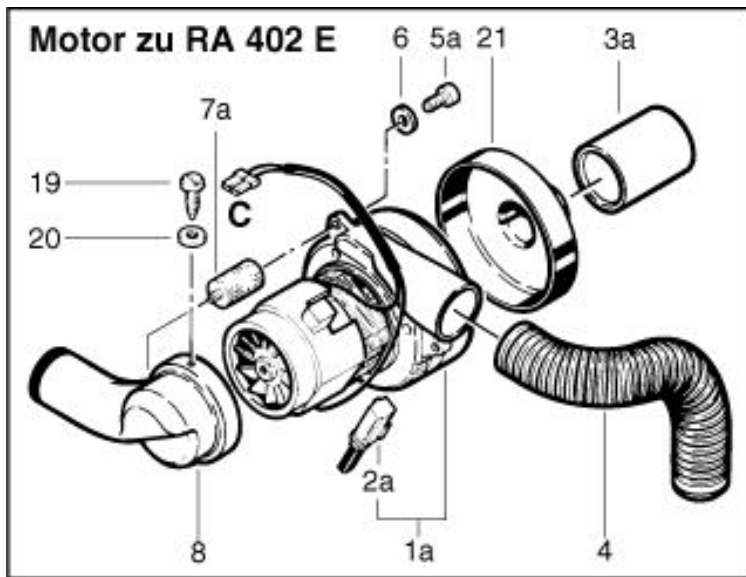


RA 400 E
Vaccum motor

As at: 05/27/08 Time:05:28



RA 400 E

Vaccum motor

As at: 05/27/08 Time:05:28

| Pos. | Description | Reference |
|-------------|---|------------------|
| 01 | Suction motor EMC 240V | 400.211 |
| 01a | Suction motor for RA 402 E | 420.210 |
| 02 | Pair of carbon brushes | P...870 KB |
| 03 | Connection piece | 411.215 |
| 03a | Connection piece for RA 402 E | 420.212 |
| 04 | Noise absorbing hose | 400.227 |
| 05 | Hexagon socket screw M 6x12 mm | P...486Q |
| 05a | Hexagon socket screw M 6x16 mm for RA 402 E | P...486V |
| 06 | Washer M6 | P...496L |
| 07 | Round buffer dm 20x25 mm | 400.217 |
| 07a | Round buffer dm 20x30 mm for RA 402 E | 400.214 |
| 08 | Tube for motor cooling | 400.354 |
| 09 | Capacitor 0,15uF | P...387C |
| 10 | Complete hose including Items 11+12 | 400.770 |
| 11 | Hose 40/33x310 mm | 400.772 |
| 12 | Socket NW 32 | P...575B |
| 13 | Suction hose NW 32x490 mm | 500.408A |
| 14 | Socket dm 43x35,5 | 400.224 |
| 15 | Connection piece | 420.220 |
| 16 | Hexagon socket screw M 4x12 mm | P...486A |
| 17 | Washer M4 | P...496C |
| 19 | Screw 2,9x6,5 mm | P...483H |
| 20 | Washer M3 | P...497B |
| 21 | Hose connection cap for RA 402 E | 500.445 |