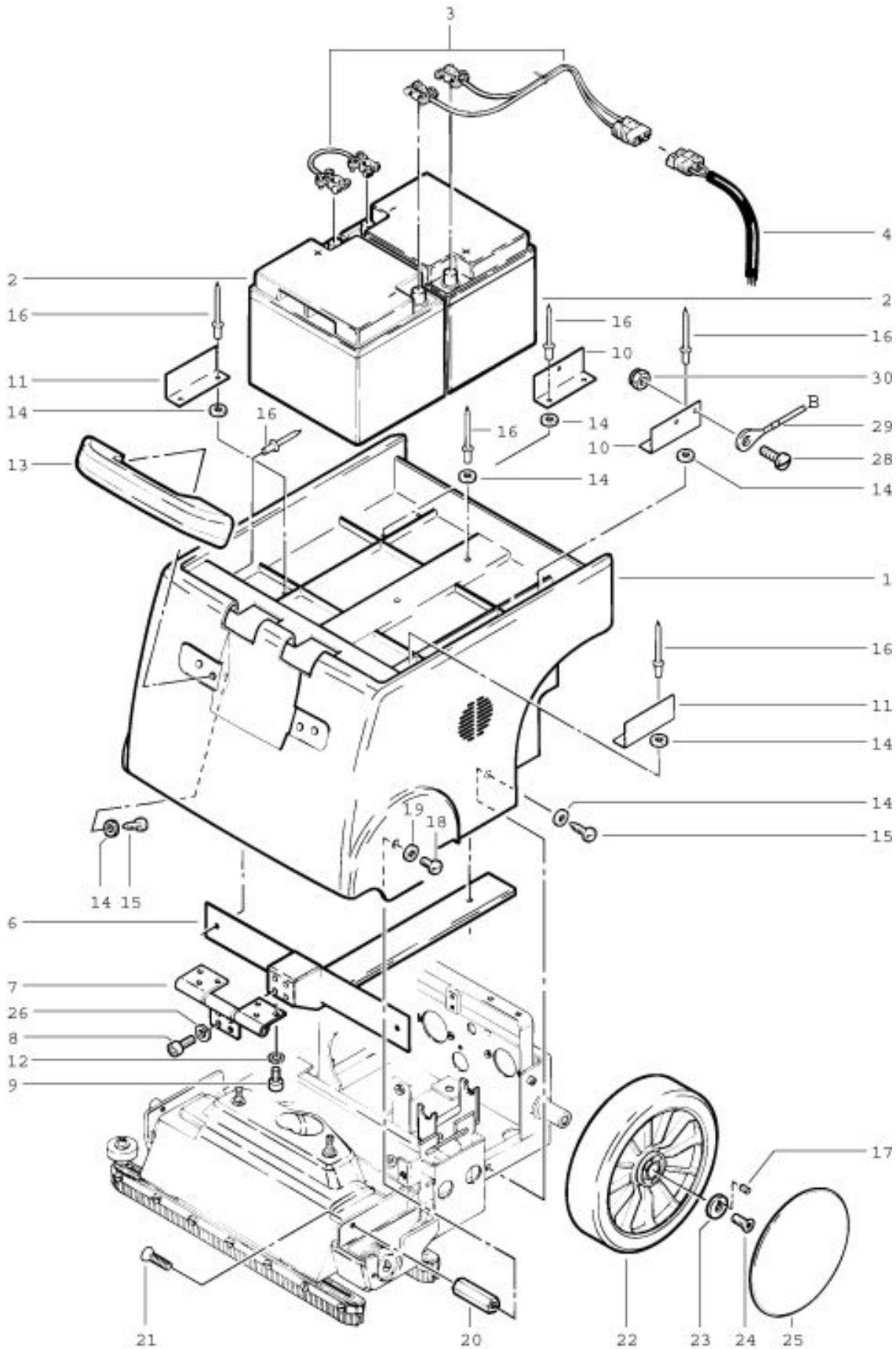


**RA 410 B**  
**Battery**

As at: 05/27/08 Time:05:58



# RA 410 B

## Battery

As at: 05/27/08 Time:05:58

| <b>Pos.</b> | <b>Description</b>                                | <b>Reference</b> |
|-------------|---|------------------|
|             | Fully automatic battery charger for wet batteries | 686.300          |
|             | Fully automatic battery charger for gel batteries | 686.310          |
| 01          | Chassis cover                                     | 416.711          |
| 02          | Set of 2 wet batteries (2x50 Ah)                  | 490.090          |
| 02          | Set of 2 wet batteries (2x50 Ah)                  | 490.091          |
| 03          | Batterie cable lead                               | 490.994          |
| 04          | Motor cable lead                                  | 440.232          |
| 04          | Motor cable lead (after serial no. 7918)          | 416.238          |
| 06          | Support   | 416.719          |
| 07          | Hinge   | 420.391          |
| 08          | Hexagon socket screw M 6x12 mm                    | P...486Q         |
| 09          | Hexagon socket screw M 5x10 mm                    | P...489E         |
| 10          | Angle   | 416.718          |
| 11          | Angle   | 416.717          |
| 12          | Spring ring M5                                    | P...498D         |
| 13          | Handle  | 077.560          |
| 14          | Washer M5   | P...497E         |
| 15          | PT-Screw KA 50x18 mm                              | P...516Q         |
| 16          | Rivet   | P...485C         |
| 17          | Pin   | P...512L         |
| 18          | Pan head screw M 5x12 mm                          | P...475I         |
| 20          | Distance piece SW 12x45 mm                        | 411.118          |
| 21          | Countersunk screw M 5x10 mm                       | P...480B         |
| 22          | Wheel dm 200x54 mm                                | 411.240          |
| 23          | Attaching washer 30x3 mm -including item 17-      | P...499          |
| 24          | Countersunk screw M 6x12 mm                       | P...487U         |
| 25          | Wheel cover                                       | 530.242          |
| 26          | Spring ring M6                                    | P...498U         |
| 28          | Hxagon socket screw M 5x8 mm                      | P...488E         |
| 29          | Nylon string                                      | 490.745          |
| 30          | Stopp nut M5                                      | P...493G         |