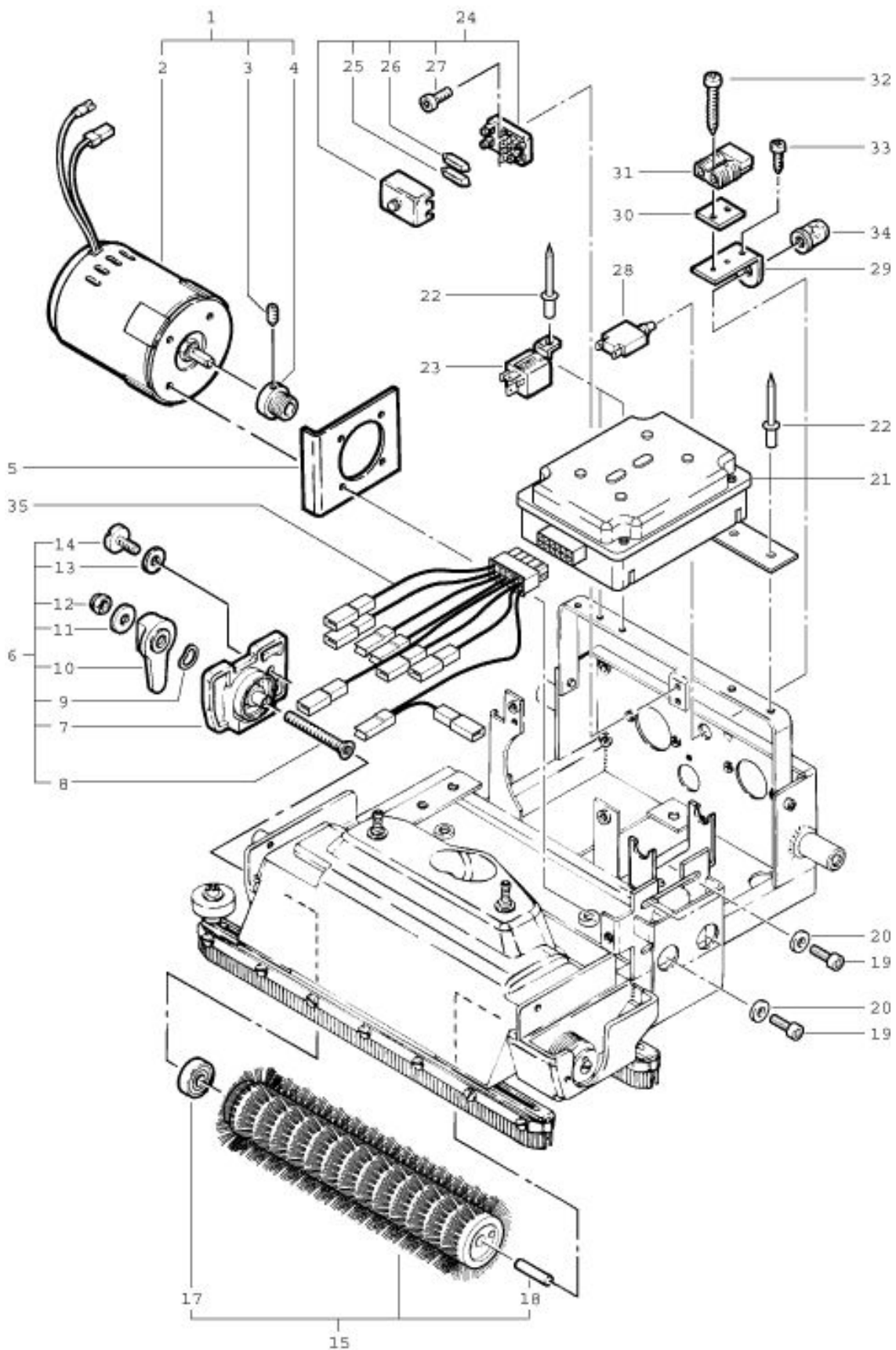


**RA 410 B**  
**Brush motor**

As at: 05/27/08 Time:05:59



# RA 410 B

## Brush motor

As at: 05/27/08 Time:05:59

Pos.	Description	Reference
01	Brush motor complete including Items 2-4	440.202
01	Brush motor complete including Items 2-4 (after serial no. 7918)	416.202
02	Motor 24 V DC	400.203
03	Threaded pin M 5x5 mm	P...482Z
03	Threaded pin M 6x10 mm (after serial no. 7918)	P...484Y
04	Belt pulley	400.204
04	Belt pulley (after 7918)	400.284
05	Motor holder 110x90x3 mm	400.291
06	Brush support complete including Items 7-14	400.450
07	Brush support	400.465
08	Countersunk screw M 6x60 mm	P...479T
09	Spring washer	P...498X
10	Support	400.461
11	Washer M6	P...496L
12	Stopp-nut M6	P...492K
13	Washer M5	P...497E
14	Special screw M 5x12 mm	400.475
15	Brush complete including Items 17+18	400.470
17	Ball bearing dm 12x32 mm	P...316D
18	Centrepin dm 8x38 mm	400.478
19	Hexagon I-screw M 5x14 mm	P...488F
20	Washer M5	P...496G
21	Electronic panel for pump (after serial no. 7918)	416.230
22	Blind rivet dm 5x8 mm	P...485F
23	Relais 24V/20 A	500.982
24	Distribution box complete	500.956
25	Fuse 25 A	P...407 T
26	Fuse 5 A	P...407S
27	Hexagon I-screw M 4x16 mm	P...486B
28	Motor protection switch	440.234
29	Angle	440.102
30	Connecting piece	440.103
31	Plug complete	P...357
32	Screw dm 2,9x19 mm	P...481T
33	Screw dm 2,9x9,5 mm	P...483G
34	Protection cap	500.957A
35	Electronic cable	416.234