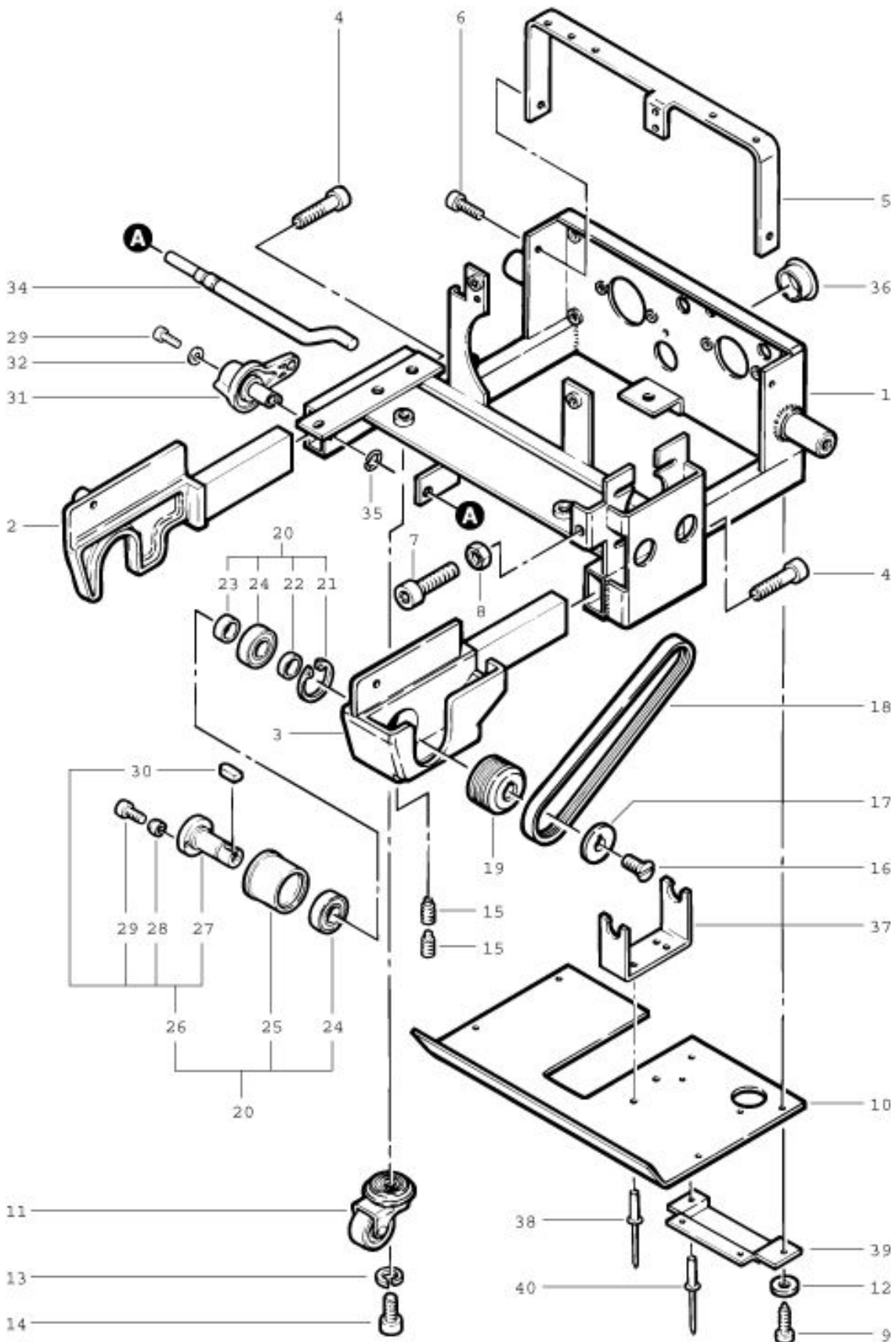


RA 410 B
Chassis

As at: 05/27/08 Time:05:59



RA 410 B

Chassis

As at: 05/27/08 Time:05:59

Pos.	Description	Reference
01	Chassis	411.111
02	Right support	411.114
03	Left support	400.113
04	Hex. socket screw M 6x25 mm	P...486T
05	Frame	420.352
06	Hex. socket screw M 4x8 mm	P...480C
07	Hex. socket screw M 8x25 mm	P...487D
08	Hexagon nut M8	P...490E
09	Screw 2,9x9,5 mm	P...483G
10	Bottom plate	481.801
10	Bottom plate (after serial no. 7918)	411.801
11	Castor	P...205B
12	Washer M3	P...497B
13	Spring ring M10	P...498E
14	Hex. socket screw M 10x25 mm	P...487K
15	Thread pin M 5x5 mm	P...482Z
16	Countersunk screw M 6x12 mm	P...487U
17	Attaching washer	P...499
18	Driving belt	420.425
19	Belt pulley	400.415
20	Brush axle complete including Items 21-30	400.401
21	Retaining ring I 32	P...514K
22	Distance ring 18/15x4 mm	400.414
23	Distance ring 13/15x6,8 mm	400.413
24	Ball bearing	P...316M
25	Bearing box	400.410
26	Axe complete including Items 27-30	400.405
27	Axle	400.411
28	Distance ring	400.418
29	Hex. socket screw M 4x8 mm	P...488D
30	Wedge	400.420
31	Lever	411.460
32	Washer M5	P...497E
34	411.140	411.140
35	Security washer dm 6,35 mm	P...499X
36	Cover 22,5x30,5 mm	P...171A
37	Pumpholder	P...207B
38	Blind rivet dm 5x8 mm	P...485F
39	Exhaust cover	411.803
40	Blind rivet dm 4x8 mm	P...485C