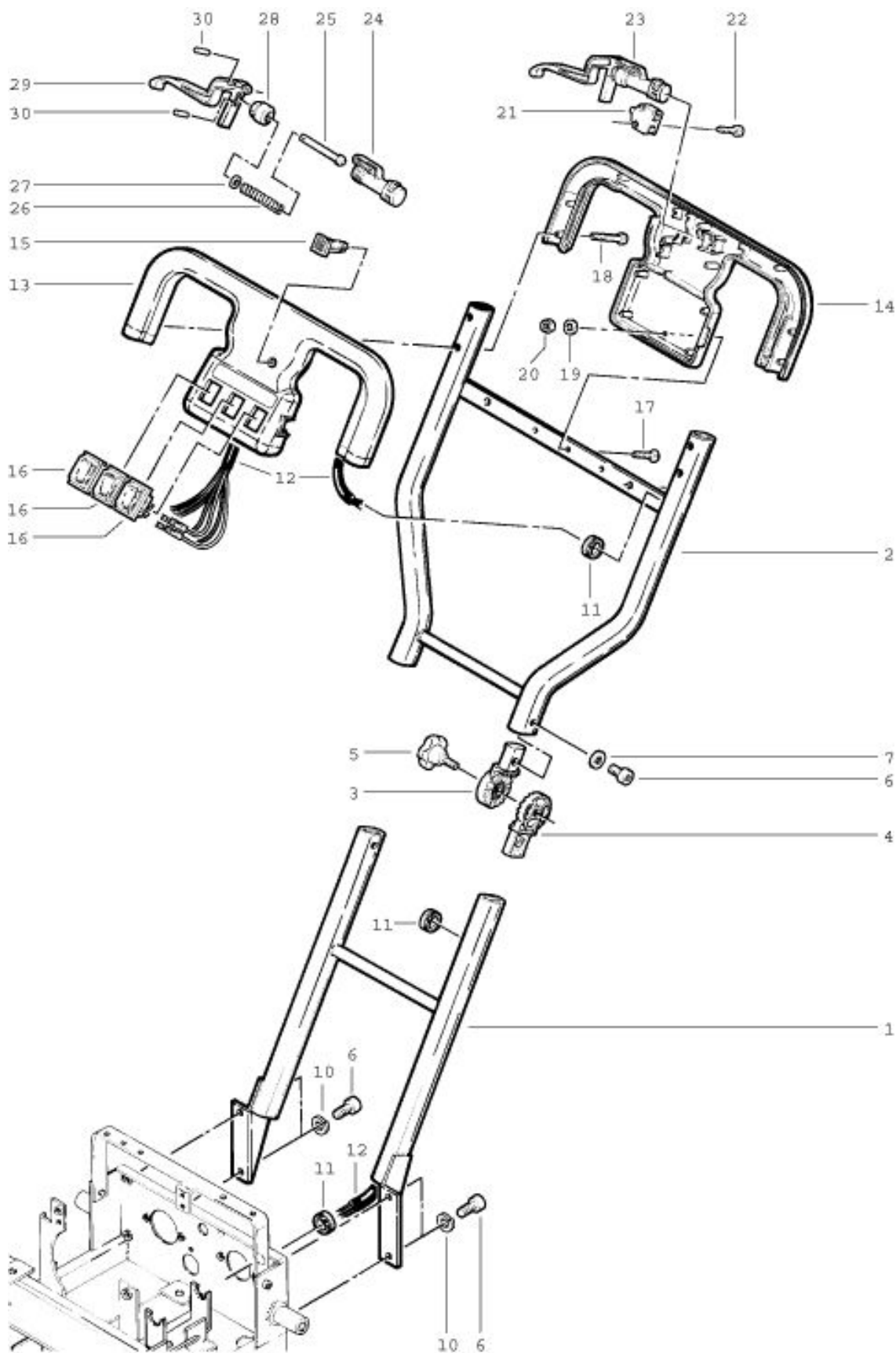


RA 410 B
Pushbar

As at: 05/27/08 Time:06:00



RA 410 B

Pushbar

As at: 05/27/08 Time:06:00

Pos.	Description	Reference
01	Lower pushbar	480.652
02	Upper pushbar	420.650
03	Upper joint	420.601
04	Lower joint	420.602
05	Screw knob	P...253
06	Hexagon socket screw M 6x12 mm	P...486Q
07	Washer M6	P...496L
10	Spring ring M6	P...498U
11	Rubber clamp	P...408K
12	Wiring to handle	490.231
12	Wiring to handle (after serial no. 7918)	416.239
13	Upper handle housing	440.611
14	Lower handle housing	400.615
15	Warning lamp	P...398
16	Tumbler switch 24 V	P...241
17	Screw M 4x20 mm	P...481E
18	PT screw dm 3x30 mm	P...516B
19	Washer M4	P...497D
20	Hexagon nut M4	P...491Q
21	Switch	P...242
22	PT screw dm 3x20 mm	P...516E
23	Lever complete including Items 24-30	400.620
24	Valve body	400.622
25	Valve pin	P...681D
26	Valve spring	P...681E
27	Washer M5	P...497G
28	Cap nut	P...681B
29	Lever	400.621
30	Cül. Pin dm 1,5x14,5 mm	P...681K