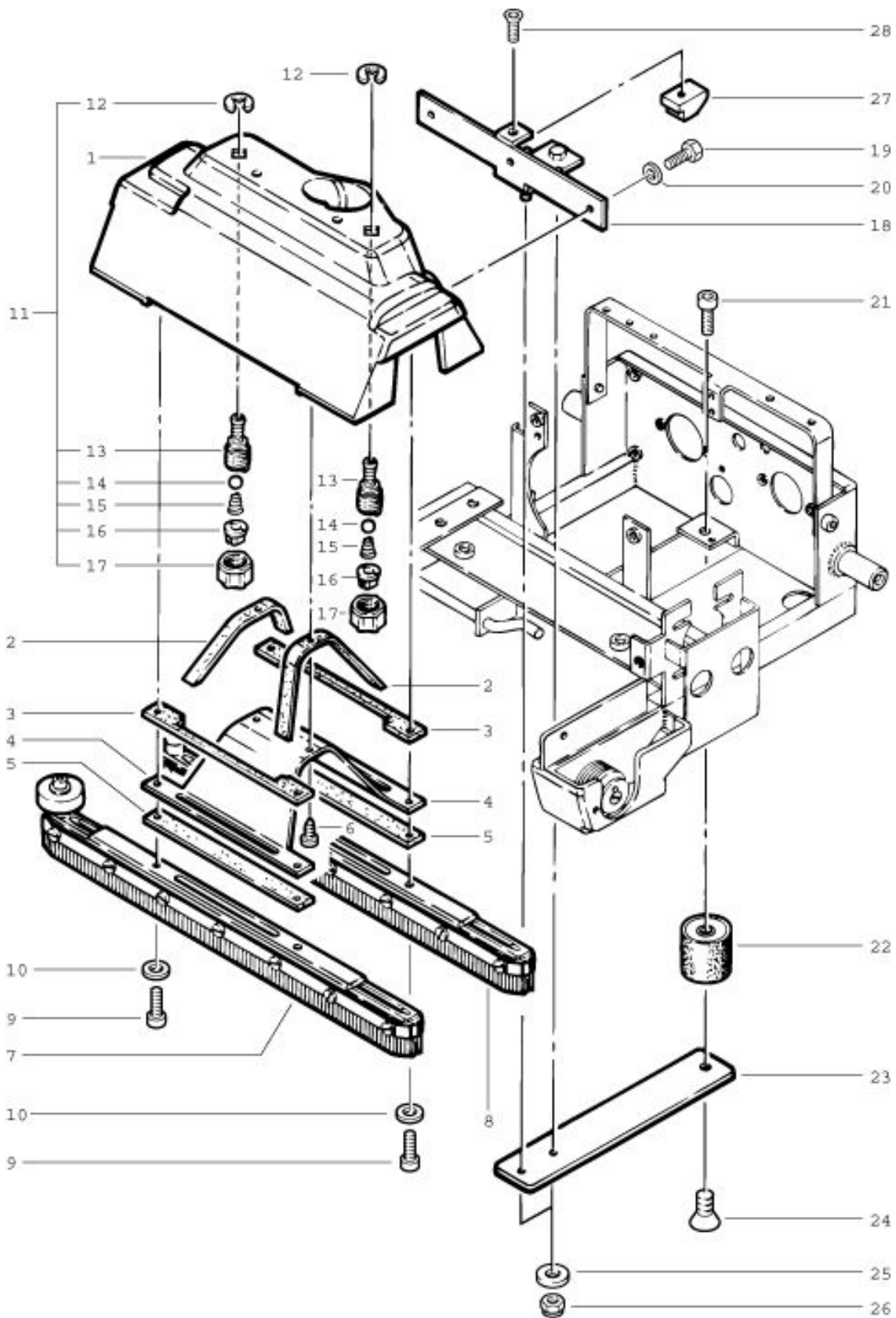


**RA 410 B**  
**Suction canal**

As at: 05/27/08 Time:06:01



# RA 410 B

## Suction canal

As at: 05/27/08 Time:06:01

Pos.	Description	Reference	
01	Suction nozzle	400.510	
02	Top seal 200x10x3 mm	400.561	
03	Top seal 190x18x3 mm	400.561A	
04	Cover 219,6x190x2 mm	400.560	
05	Lower seal 190x18x3 mm	400.563	
06	Pan Head screw M 4x10 mm	P...475V	
07	Front suction nozzle complete	400.520	
08	Rear suction nozzle complete	400.530	
09	Hexagon socket screw M 5x14 mm	P...488F	
10	Washer M5	P...497G	
11	Spraying nozzle complete including	Items 12-17	400.550
12	Security washer 9 mm	P...499N	
13	Holder for nozzle	400.551	
14	Ball for spraying nozzle	P...172W	
15	Pressure spring	P...444E	
16	Spraying jet yellow	P...602N	
17	Cup nut 3/8««	P...602D	
18	Nozzle holder 230x115x3 mm	400.394	
19	Hexagon screw M 5x12 mm	P...470H	
20	Serrated lock washer M5	P...498D	
21	Hexagon socket screw M 8x10 mm	P...487A	
22	Round buffer	420.393	
23	Arch 262x45x5 mm	411.396	
24	Countersunk screw M 8x12 mm	P...479R	
25	Washer M 5	P...496G	
26	Stopp-nut M5	P...493G	
27	Glider	411.391	
28	Countersunk screw M 4x8 mm	P...480C	