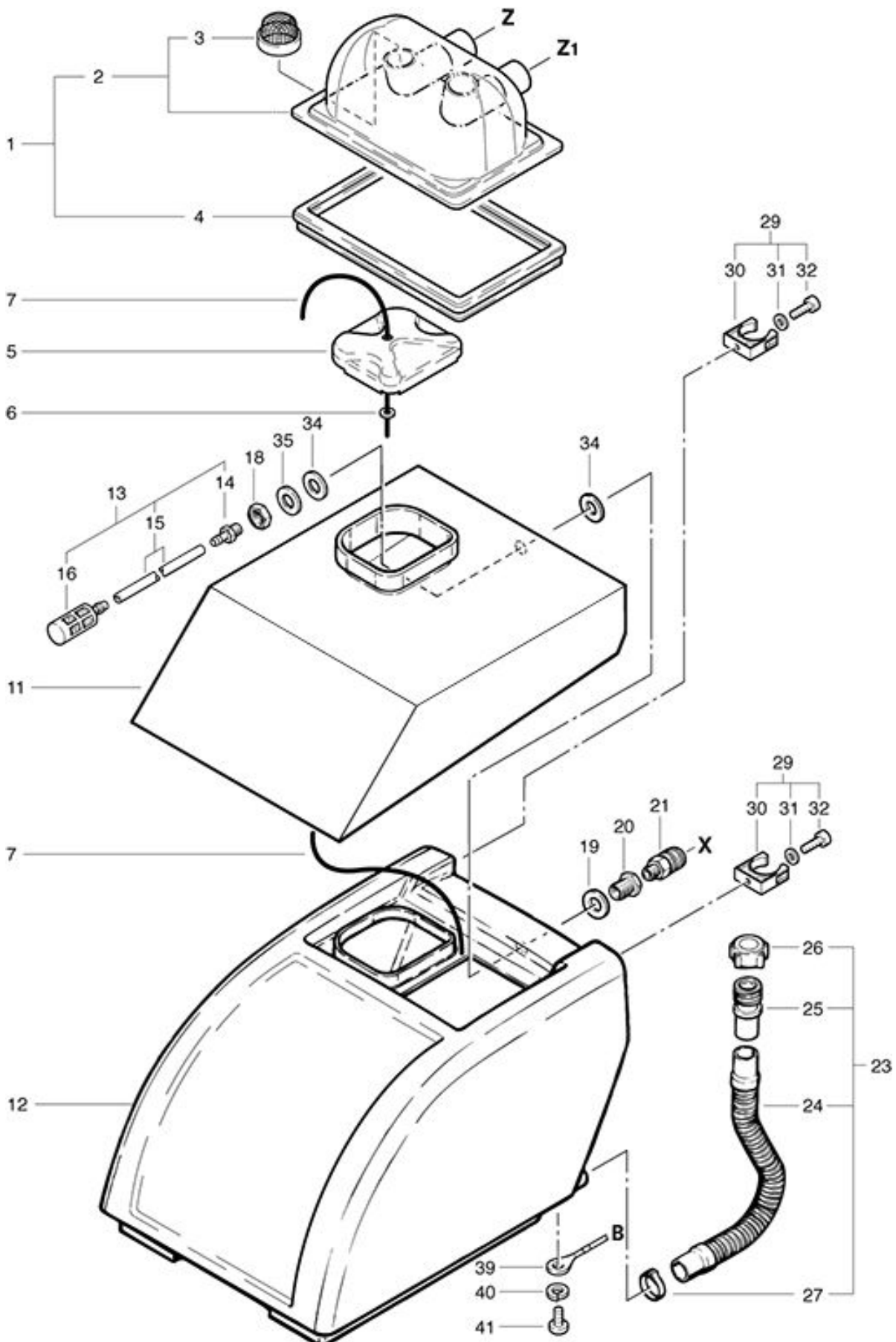


# RA 410 B

## Tank cover and fresh water tank

As at: 05/27/08 Time:06:01



Haube und Frischwassertank

## RA 410 B

### Tank cover and fresh water tank

As at: 05/27/08 Time:06:01

Pos.	Description	Reference
01	Tank cover complete including Items 2-4	530.755
02	Tank cover	400.756
03	Filter	400.766
04	Seal for cover	420.723
05	Clean water tank cover	530.758
06	Washer M 4	P...497 F
07	Cordle	490.750
11	Fresh water tank	490.722
12	Tank	490.721
13	Suction hose complete including Items 14-16	490.725
14	Staight nipple G 1/4''	P...540 F
15	Suction hose 8/6 x 450	415.719
16	Fresh water filter	P...528
18	Nut G 3/8''	P...535 B
19	Gasket 30/17 x 2	P...097
20	Reducer G 3/8''-1/4''	P...535 J
21	Female quick connector 1/4''	P...500 B
23	Discharge hose complete including Items 24-27	480.740
24	Discharge hose 330 mm	480.741
25	Hose socket	500.409 A
26	Hose socket cap	500.410
27	Hose clamp Ø 36,5-39,6	P...553 R
29	Hose support complete including Items 30-32	400.445
30	Hose support	P...109 A
31	Washer M 5	P...497 G
32	Hexagon socket screw M 5x12	P...488 B
34	Seal Ø 35 mm	P...097 B
35	Washer Ø 35 mm	P...098
39	Nylon string	490.745
40	Spring ring M 6	P...498 U
41	Pan head screw M 6x8	P...475 P