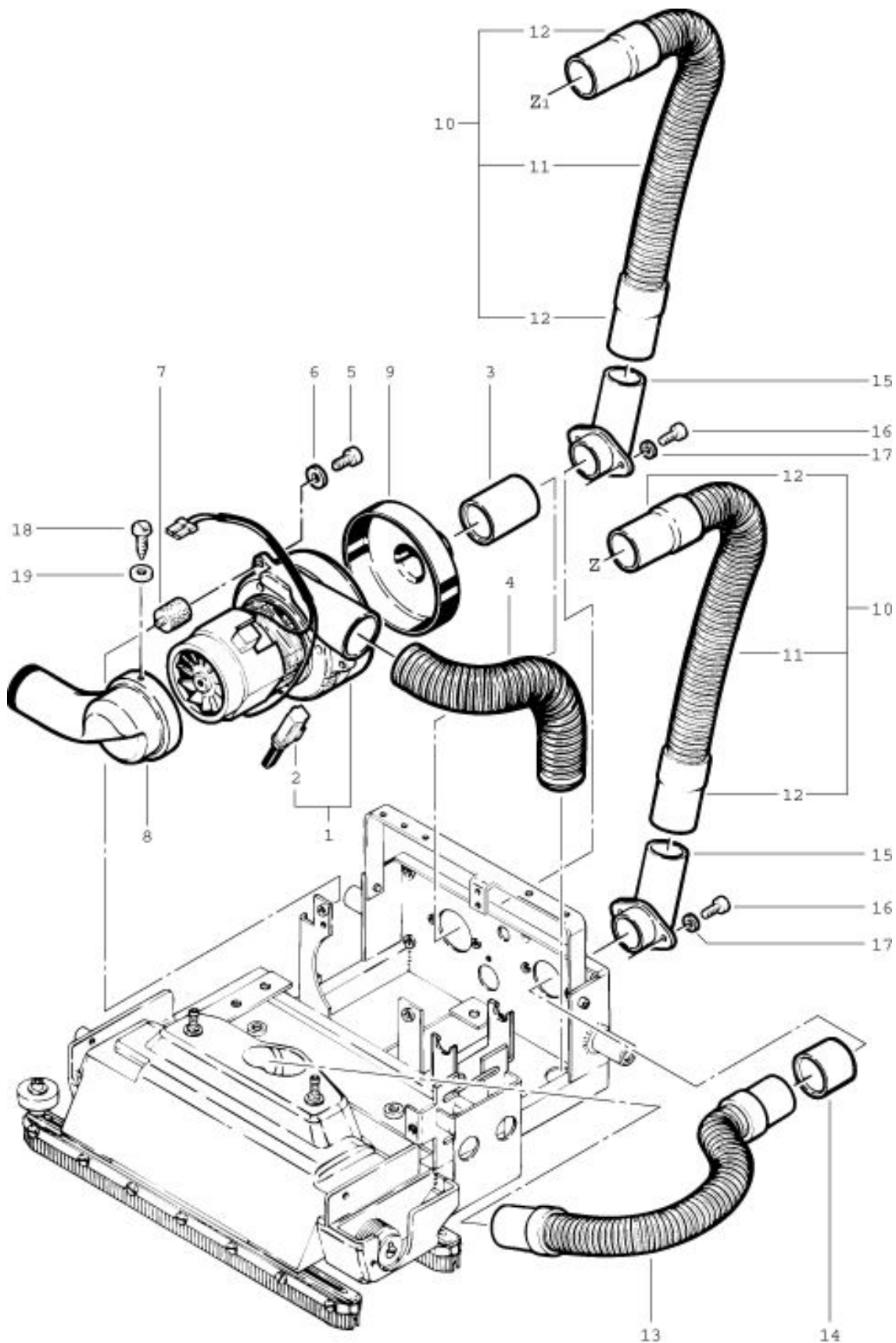


RA 410 B

Vaccum motor

As at: 05/27/08 Time:06:01



RA 410 B

Vaccum motor

As at: 05/27/08 Time:06:01

Pos.	Description	Reference
01	Suction motor	440.206
02	Pair of carbon brushes	500.441K
03	Connection piece	400.215
04	Noise absorbing hose	400.227
05	Hexagon socket screw M 6x12 mm	P...486Q
06	Washer M6	P...496L
07	Round buffer dm 20x30 mm	400.214
08	Tube for motor cooling	420.361
09	Hose connection cap	P...206A
10	Complete hose including Items 11+12	411.770
11	Hose 40/33x310 mm	411.772
12	Socket NW 32	P...575B
13	Suction hose NW 32x490 mm	500.408A
14	Socket dm 43x35,5 mm	400.224
15	Connection piece	420.220
16	Hexagon socket screw M 4x12 mm	P...486A
17	Washer M4	P...496C
18	Screw 2,9x6,5 mm	P...483H
19	Washer M3	P...497B