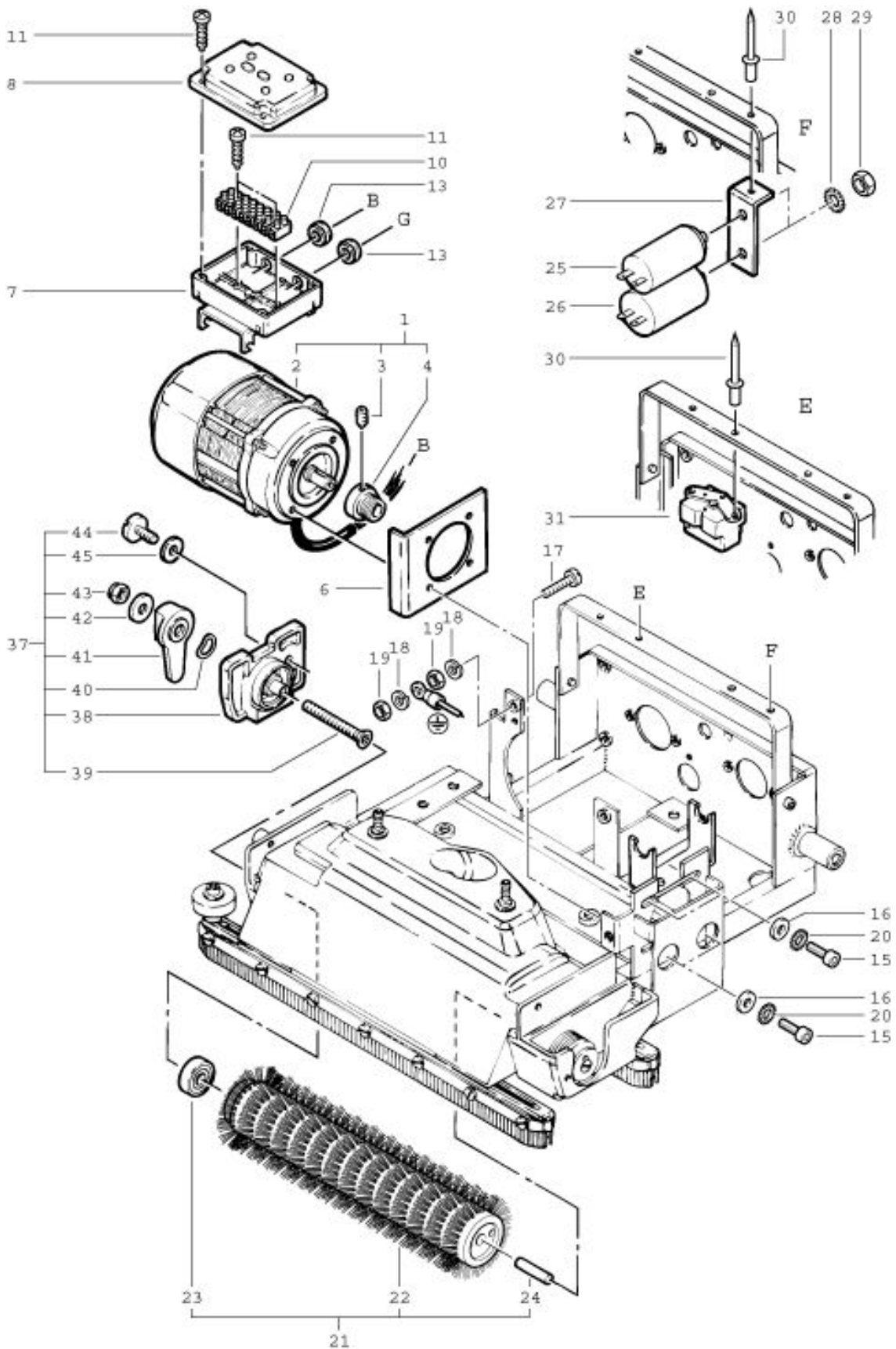


RA 410 E
Brush motor

As at: 05/27/08 Time:05:46



RA 410 E

Brush motor

As at: 05/27/08 Time:05:46

Pos.	Description	Reference
01	Brush motor complete including Items 2-4	400.281
02	Brush motor 370 W	400.281A
03	Threaded pin M 6x10 mm	P...484Y
04	Belt pulley	400.284
06	Motor holder 110x90x3 mm	400.291
07	Distribution box	400.320A
08	Cover of distribution box	P...379A
10	Terminal 8 poles	P...383D
11	PT-Screw KA 30x14 mm	P...516S
13	Rubber clamp	P...408K
15	Hexagon socket screw M 5x16 mm	P...486I
16	Washer M5	P...496G
17	Cyl. screw M 4x20 mm	P...478L
18	Spring ring M4	P...498A
19	Hexagon nut M4	P...491Q
21	Brush complete including Items 22-24	400.470
22	Brush (bristles dm 0,18)	400.471
23	Ball bearing dm 12x32 mm	P...316D
24	Centre pin dm 8x38 mm	400.478
25	Capacitor 12uF/450V	P...385B
26	Capacitor 16uF/450V	P...385C
27	Angled holder for capacitor	480.185
28	Serrated lock washer M8	P...499F
29	Hexagon nut M8	P...490E
30	Blind rivet 4x8 mm	P...485C
31	Relais	420.331
32	Distance ring	P...485D
37	Brush support complete including Items 38-45	400.450
38	Brush support	400.465
39	Countersunk screw M 6x60 mm	P...479T
40	Spring washer	P...498X
41	Support	400.461
42	Washer M6	P...496L
43	Stopp-nut M6	P...492K
44	Special screw M 5x12 mm	400.475
45	Washer M5	P...497E