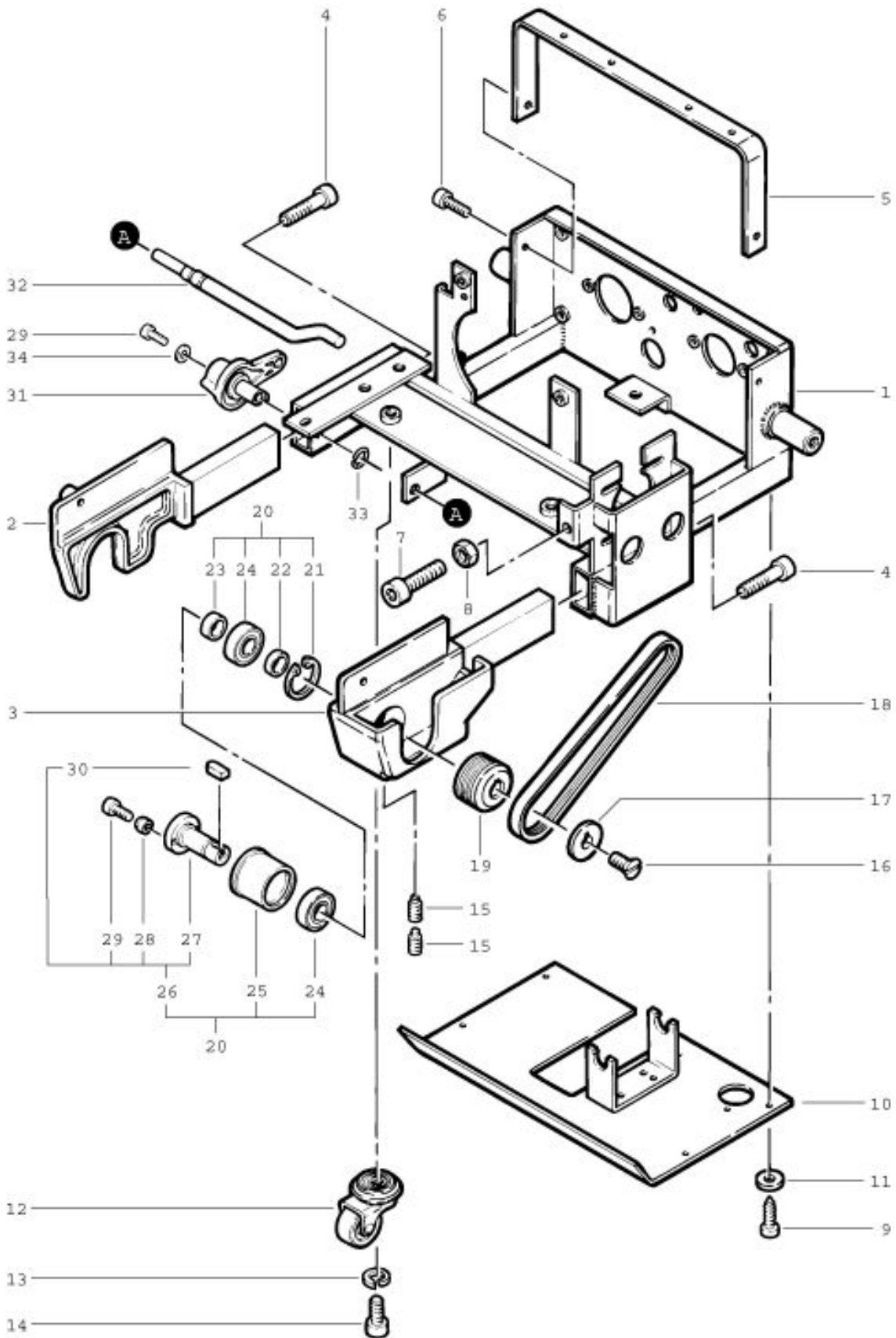


RA 410 E
Chassis

As at: 05/27/08 Time:05:49



RA 410 E

Chassis

As at: 05/27/08 Time:05:49

Pos.	Description	Reference
01	Chassis	411.111
02	Right support	411.114
03	Left support	400.113
04	Hexagon socket screw M 6x25 mm	P...486T
05	Frame	420.352
06	Hexagon socket screw M 4x12 mm	P...486A
07	Hexagon socket screw M 8x25 mm	P...487D
08	Hexagon nut M8	P...490E
09	Screw 2,9x9,5 mm	P...483G
10	Bottom plate	411.800
11	Washer M3	P...497B
12	Castor	P...205B
13	Spring ring M10	P...498E
14	Hexagon socket screw M 10x20 mm	P...487H
15	Thread pin M 5x5 mm	P...482Z
16	Countersunk screw M 6x12 mm	P...487U
17	Attaching washer	P...499
18	Driving belt	420.425
19	Belt pulley	400.415
20	Brush axle complete including Items 21-30	400.401
21	Retaining ring I 32	P...514K
22	Distance ring 18/15x4 mm	400.414
23	Distance ring 13/15x6,8 mm	400.413
24	Ball bearing	P...316M
25	Bearing box	400.410
26	Axe complete including Items 27-30	400.405
27	Axle	400.411
28	Distance ring	400.418
29	Hexagon socket screw M 4x8 mm	P...488D
30	Wedge	400.420
31	Lever	411.460
32		411.140
33	Security washer dm 6,35 mm	P...499X
34	Washer M5	P...496H