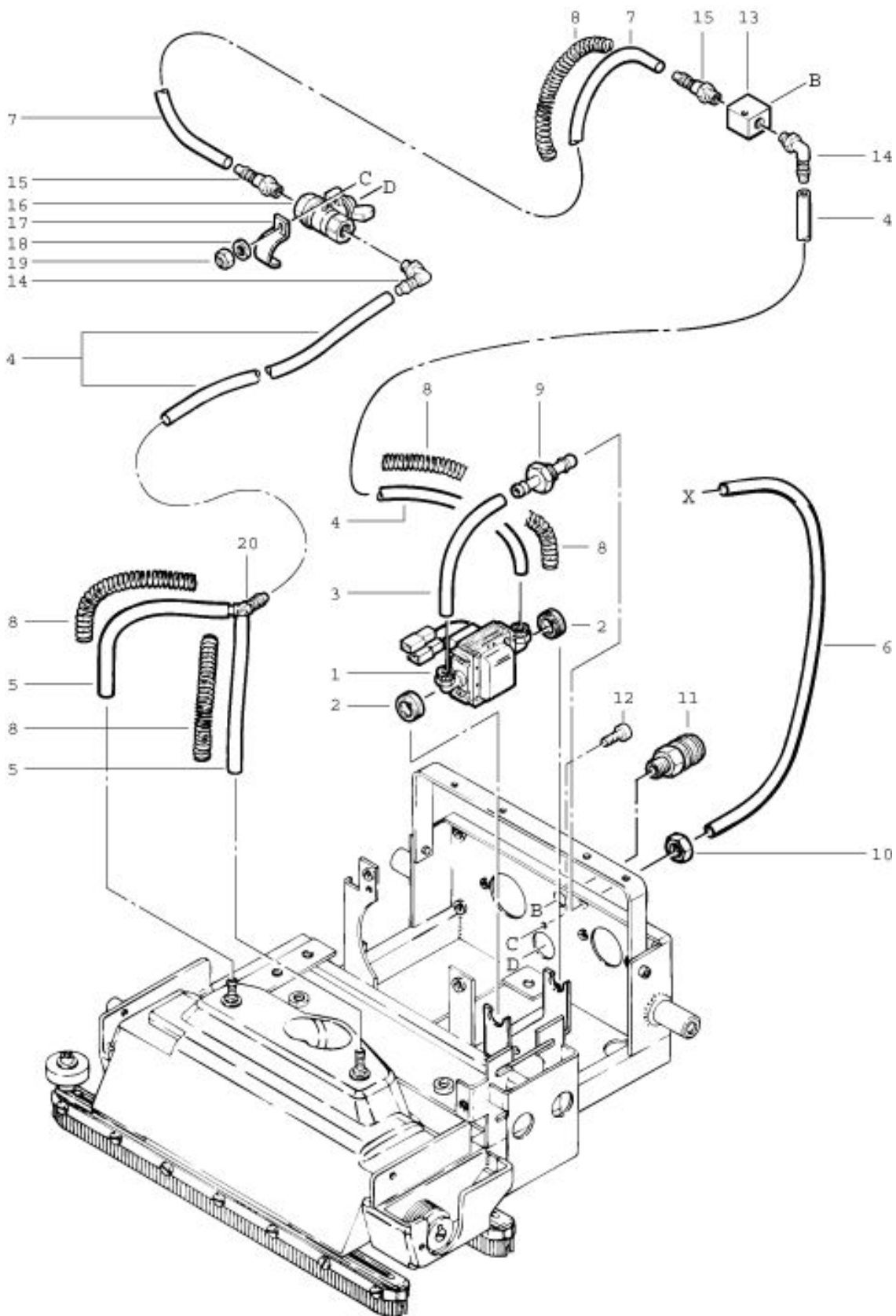


RA 410 E
Pump assembly

As at: 05/27/08 Time:05:49



RA 410 E

Pump assembly

As at: 05/27/08 Time:05:49

Pos.	Description	Reference
01	NDS-C-pump	P...812
02	Grommet dm 14 mm	P...207A
03	Suction hose 8/6x170 mm	400.261A
04	Pressure hose 8/6x330 mm	400.262
05	Pressure hose 8/6x120 mm	400.261
06	Suction hose 8/6x330 mm	480.341
07	Pressure hose 8/6x210 mm	400.341
08	Protection spring	900.162A
09	Double fitting	400.342
10	Hexagon nut G 1/8««	P...535I
11	Female quick connector	P...500B
12	Hexagon socket screw M 5x12 mm	P...488B
13	Distribution piece	480.353
14	Angled nipple 6R 1/8««	P...541E
15	Nipple 6R 1/8««	P...540B
16	Ball tap	P...508B
17	Clamp	450.336A
18	Washer M5	P...496H
19	Stop nut M5	P...493G
20	Y-piece 6 mm	P...542D