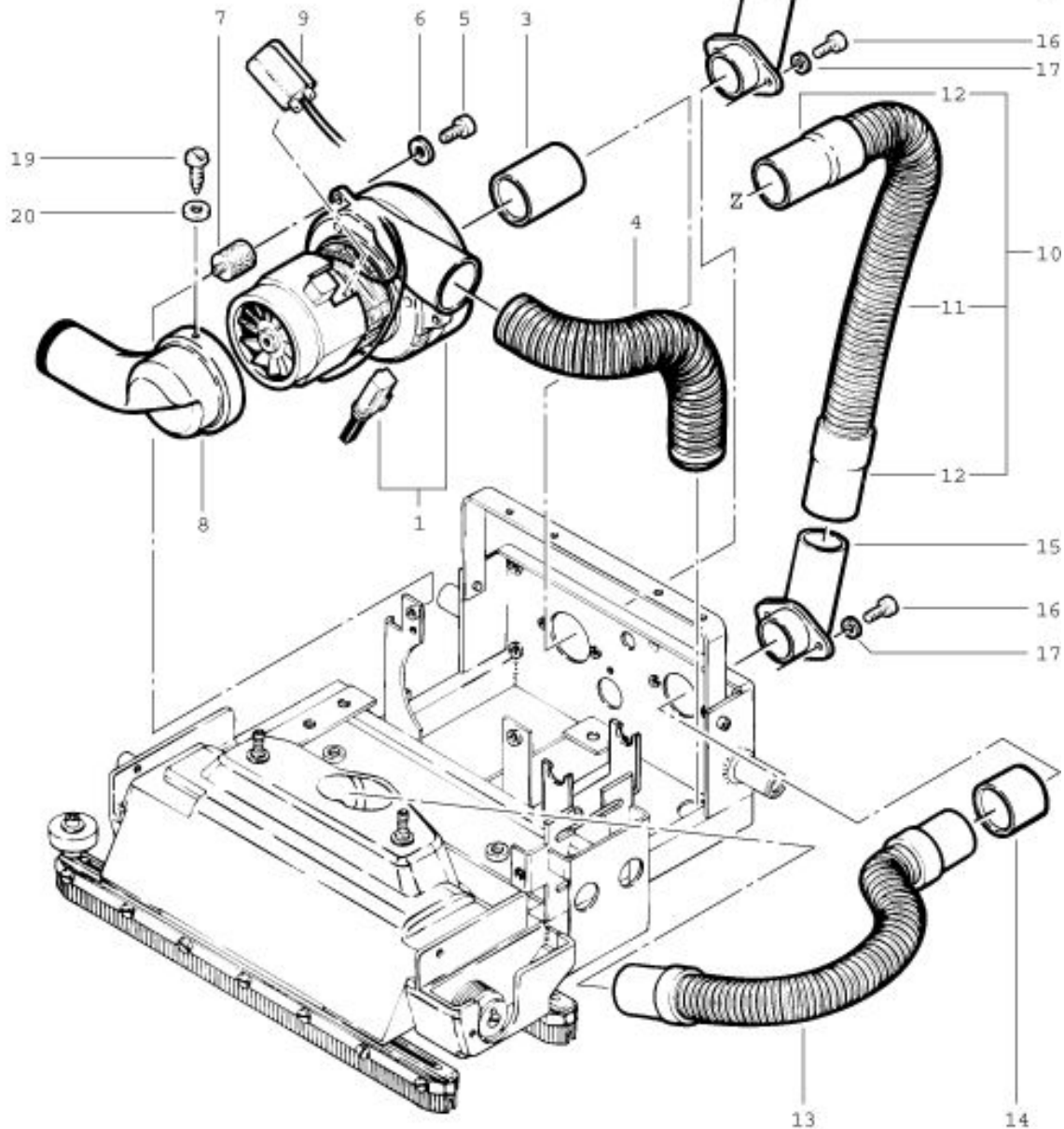
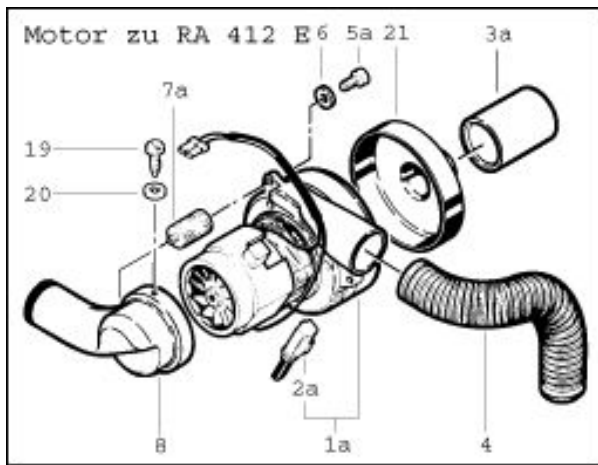


# RA 410 E

## Vacuum motor

As at: 05/27/08 Time:05:51



# RA 410 E

## Vacuum motor

As at: 05/27/08 Time:05:51

<b>Pos.</b>	<b>Description</b>	<b>Reference</b>
01	Suction motor EMC 240 V	400.211
01a	Suction motor for RA 412 E	420.210
02	Pair of carbon brushes	P...870KH
03	Connection piece	411.215
03	Connection piece for RA 412 E	420.212
04	Noise absorbing hose	400.227
05	Hexagon socket screw M 6x12 mm	P...486Q
05	Hexagon socket screw M 6x16 mm for RA 412 E	P...486V
06	Washer M6	P...496L
07	Round buffer dm 20x25 mm	400.217
07	Round buffer dm 20x30 mm for RA 412 E	400.214
08	Tube for motor cooling	420.361
09	Capacitor 0,15uF	P...387C
10	Complete hose including Items 11+12	411.770
11	Hose 40/33x310 mm	411.772
12	Socket NW 32	P...575B
13	Suction hose NW 32x490 mm	500.408A
14	Socket dm 43x35,5 mm	400.224
15	Connection piece	420.220
16	Hexagon socket screw M 4x12 mm	P...486A
17	Washer M4	P...496C
19	Screw 2,9x6,5 mm	P...483H
20	Washer M3	P...497B
21	Hose connection cap for RA 412 E	500.445