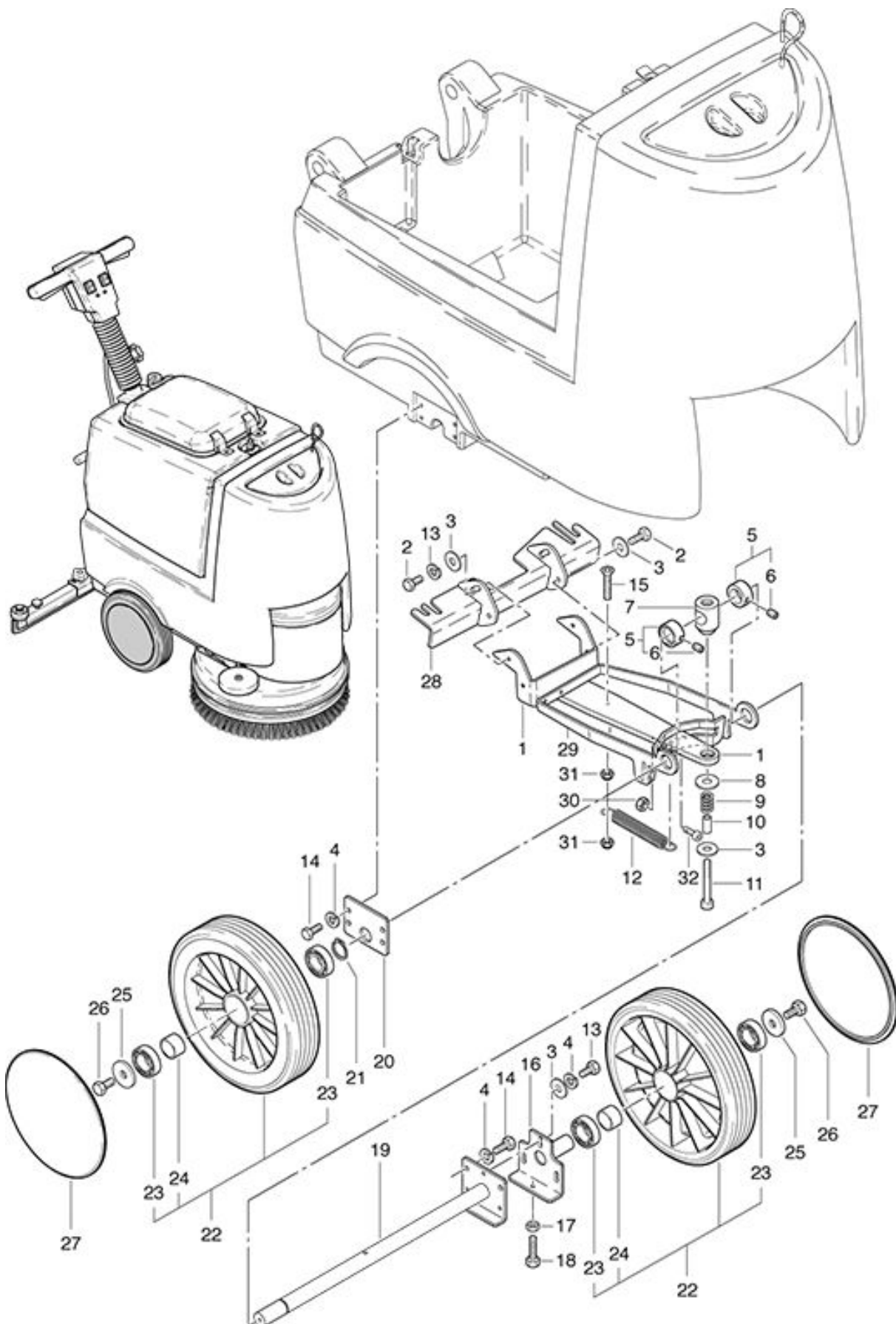


RA 431 B / RA 431 IBC
Chassis and Wheel

As at: 05/27/08 Time:07:26



RA 431 B / RA 431 IBC

Chassis and Wheel

As at: 05/27/08 Time:07:26

Pos.	Description	Reference
01	Lever	432.082
02	Hexagon screw M 6x12	P...470 R
03	Washer M 6	P...496 L
04	Washer M 6	P...498 U
05	Tension ring compl.	432.065
06	Thread pin I-6kt. M 6x6	P...481 C
07	Ball stud	432.063
08	Washer M 6	P...496 S
09	Compression spring Ø 12,5x22	432.083
10	Distance washer	432.081
11	Cylindrical screw M 6x40	P...486 Y
12	Spring	432.084
13	Hexagon screw M 6x10	P...471 Z
14	Hexagon screw M 6x16	P...470 T
15	Countersunk screw M 6x25	P...480 W
16	Clamping plate adjustably	432.061
17	Hexagon nut M 6	P...490 D
18	Hexagon screw M 6x20	P...470 X
19	Axle compl.	432.060
20	Clamping plate	432.062
21	Security ring A 20	P...513 EA
22	Wheel complete, including Items 23+24	530.240
23	Ball bearing	P...316 R
24	Distance piece	530.246
25	Washer 6/25x1.8	P...497 Y
26	Hexagon screw M 6x12	P...470 R
27	Wheel cover	530.242
28	Nozzle support angle	432.380
29	Nozzle holder	432.080
30	Hexagon screw M 8	P...490 D
31	Locknut M 6	P...493 K
32	Hexagon screw M 8x16	432.079