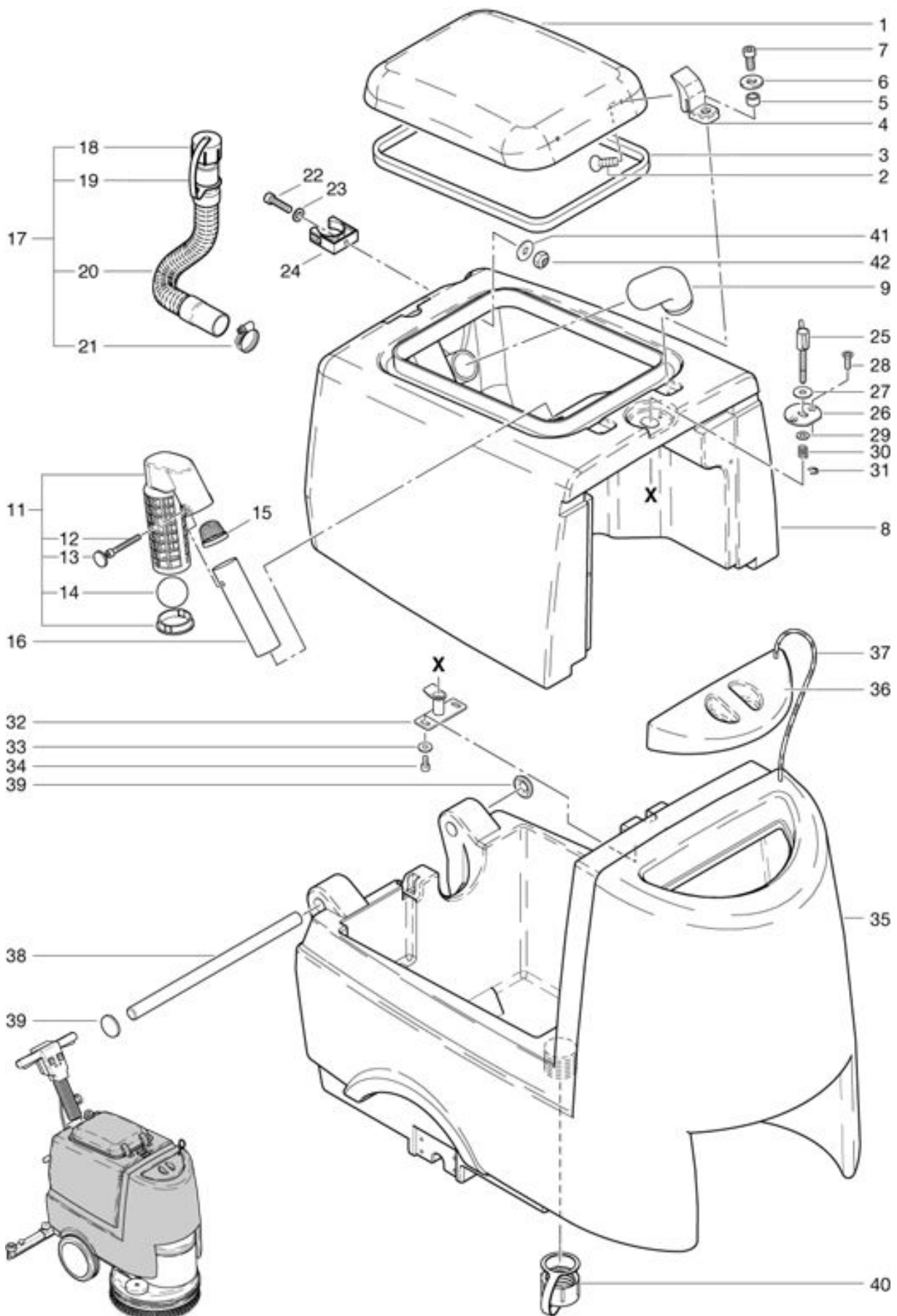


RA 431 B / RA 431 IBC
Clean water tank and Waste water tank

As at: 05/27/08 Time:07:26



RA 431 B / RA 431 IBC

Clean water tank and Waste water tank

As at: 05/27/08 Time:07:26

Pos.	Description	Reference
01	Cover	710.120
02	Countersunk screw M 4x8	P...480 O
03	Seal for cover	710.121
04	Hinge	710.122
05	Distance piece	430.618
06	Washer M 6	P...497 K
07	Cylindrical screw M 5x12	P...488 B
08	Waste water tank	436.200
09	Angled piece	560.674
11	Float basket kompl.	432.300
12	Cylindrical screw M 6x50	P...477 Y
13	Straight-knurled knobs for I-6kt.POM black	P...494 X
14	Ball Ø 45 mm	432.304
15	Air cleaner filter	432.310
16	Suction tube to blower	432.205
17	Discharge hose complete, including Items 18-21	710.126 A
18	Cover for hose socket	500.410
19	Hose socket	500.409 A
20	Discharge hose	710.126
21	Hose clamp	P...206 D
22	Cylindrical screw M 5x25	P...488 K
23	Washer M 5	P...497 G
24	Hose clamp	P...109 A
25	Wing nut	P...174
26	Edition to catch	436.221
27	Washer M 8x24	P...497 T
28	Countersunk screw	P...480 P
29	Washer M 8x16	P...496 P
30	Compression spring	436.228
31	Snap ring Ø 6 mm	P...500 K
32	Tank adjustment	432.407
33	Washer M 5x15	P...496 G
34	Fillister-head screw	P...481 Z
35	Clean water tank	436.100
36	Freshwater tank cover	432.115
37	Cord Ø 3x260 mm	432.750
38	Axle	436.220
39	Guard ring with cap	P...499 L
40	Cover of complete for execution	432.110
41	Washer M 5	P...496 G
42	Security nut M 5	P...493 G