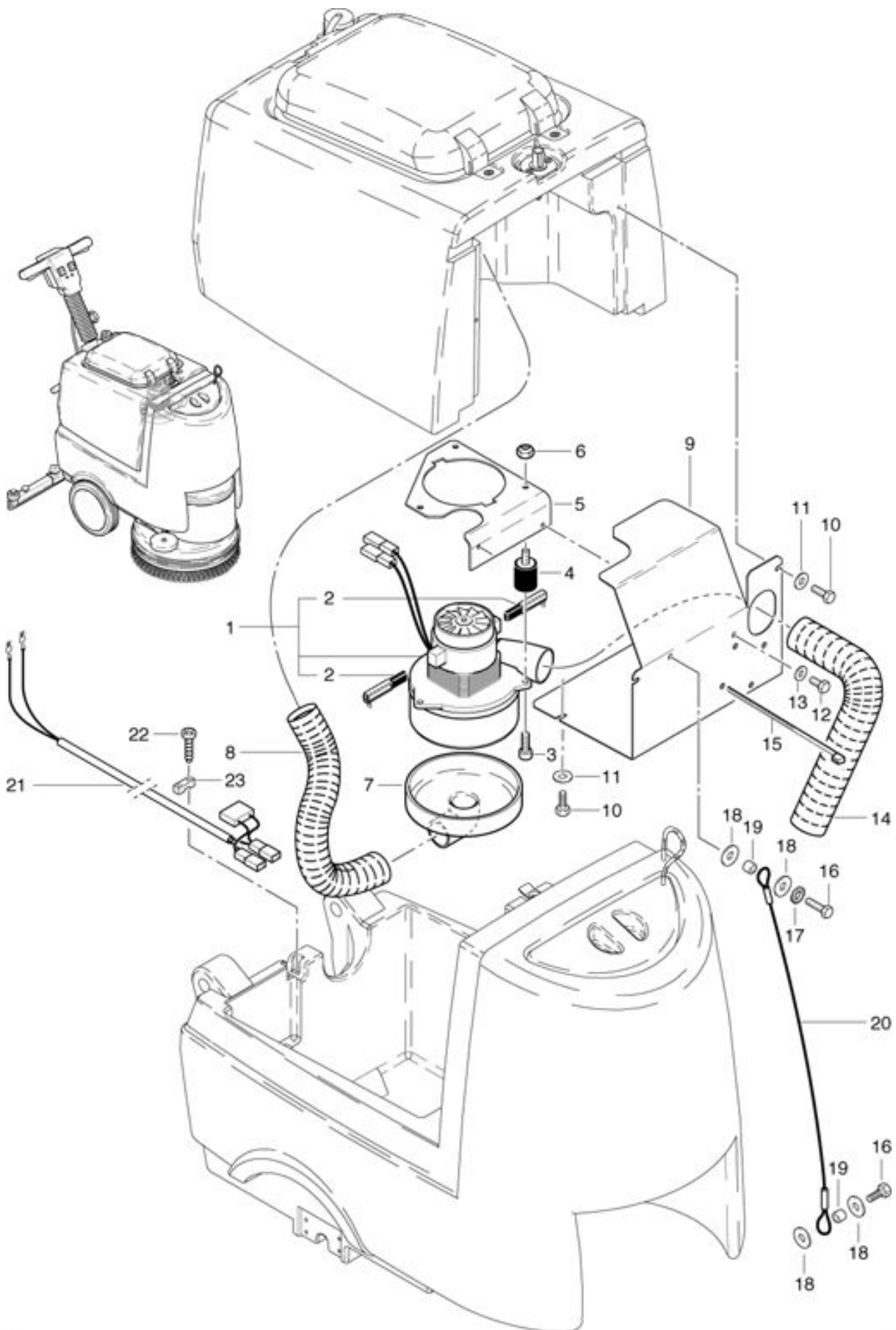


RA 431 B / RA 431 IBC
Vacuum motor assembling

As at: 05/27/08 Time:07:29



RA 431 B / RA 431 IBC

Vacuum motor assembling

As at: 05/27/08 Time:07:29

| Pos. | Description | Reference |
|-------------|-----------------------------|------------------|
| 01 | Vacuum motor 24 V/400 W | 440.206 |
| 02 | Pair of carbon brushes | P...870 KB |
| 03 | Cylindrical screw M 6x12 | P...486 Q |
| 04 | Round buffer | 400.217 |
| 05 | Motor support | 436.355 |
| 06 | Locknut | P...493 K |
| 07 | Top cap | 470.490 |
| 08 | Suction hose | 436.353 |
| 09 | Cover to blower | 436.354 |
| 10 | Hexagon screw M 6x10 | P...471 Z |
| 11 | Washer M 6 | P...496 S |
| 12 | Hexagon screw M 6x16 | P...470 T |
| 13 | Washer M 6 | P...497 K |
| 14 | Drain hose | 470.488 |
| 15 | Cable strap | P...424 |
| 16 | Hexagon screw M 6x16 | P...470 T |
| 17 | Washer M 6 | P...499 D |
| 18 | Washer M 6x25 | P...497 Y |
| 19 | Distance piece | 742.129 |
| 20 | Polyester-hurry 4x640 mm | 436.447 |
| 21 | Cable tree with capacitor | 436.357 |
| 22 | Fillister-head screw M 5x16 | P...476 E |
| 23 | Cable clamp | 4611085 |