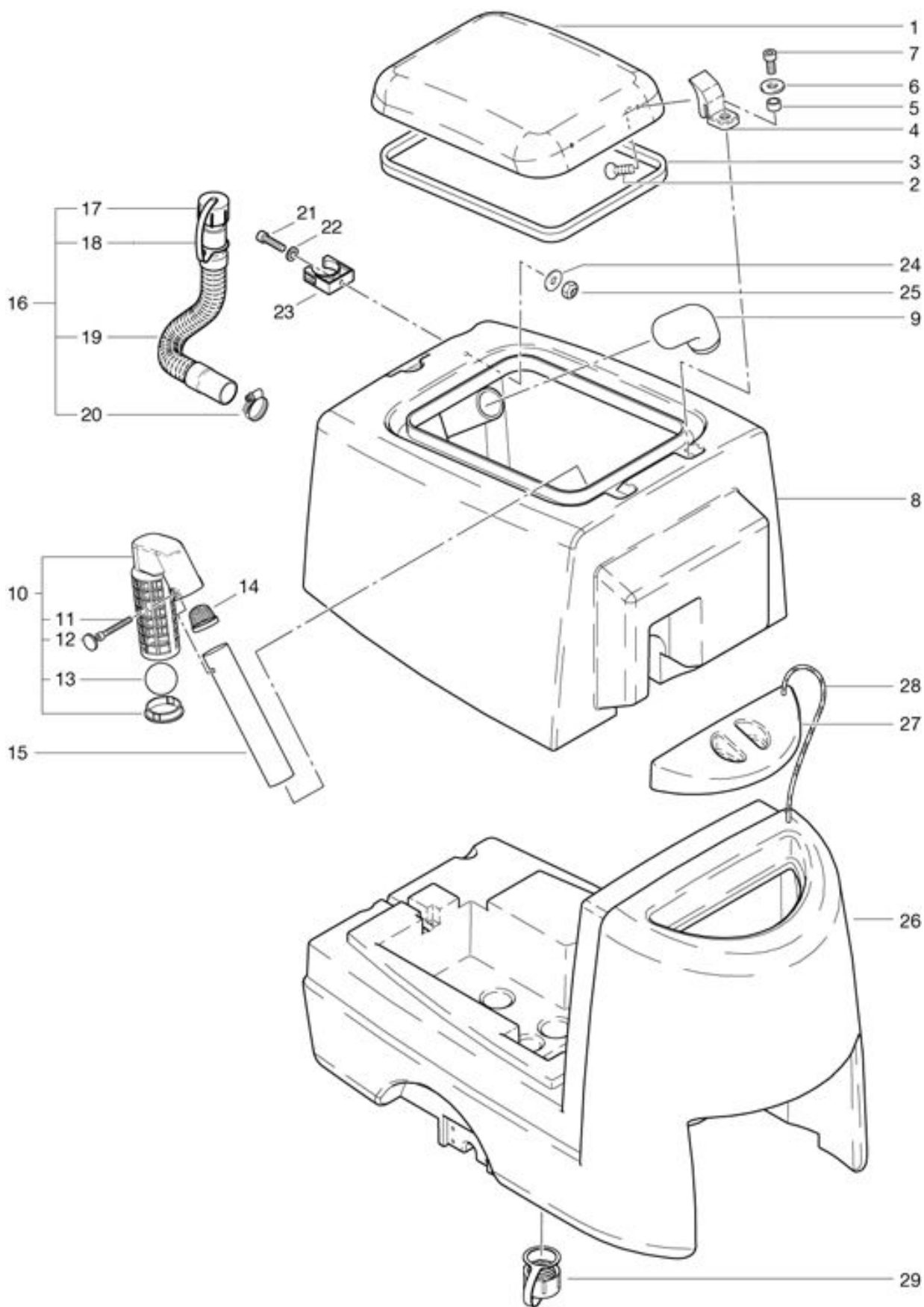


RA 431 E
Clean water tank and Waste water tank

As at: 05/27/08 Time:06:15



RA 431 E

Clean water tank and Waste water tank

As at: 05/27/08 Time:06:15

Pos.	Description	Reference
01	Cover	710.120
02	Countersunk screw M 4x8	p...480 O
03	Seal for cover	710.121
04	Hinge	710.122
05	Distance piece	430.618
06	Washer M 6	P...497 K
07	Cylindrical screw M 5x12	P...488 B
08	Waste water tank	432.200
09	Angled piece	560.674
10	Float basket kompl.	432.300
11	Cylindrical screw M 6x50	P...477 Y
12	Straight-knurled knobs for I-6kt. POM black M 6/10/20/7,5	P...494 X
13	Ball Ø 45 mm	432.304
14	Air cleaner filter	432.310
15	Suction tube to blower	432.205
16	Discharge hose complete, including 17-20	710.126 A
17	Cover for hose socket	500.410
18	Hose socket	500.409 A
19	Discharge hose	710.126
20	Hose clamp	P...206 D
21	Countersunk screw M 5x25	P...488 K
22	Washer M 5	P...497 G
23	Hose clamp	P...109 A
24	Washer M 5	P...496 G
25	Security nut M 5	P...493 G
26	Clean water tank	432.100
27	Freshwater tank cover	432.115
28	Cord Ø 3x260 mm	432.750
29	Cover of complete for execution	432.110