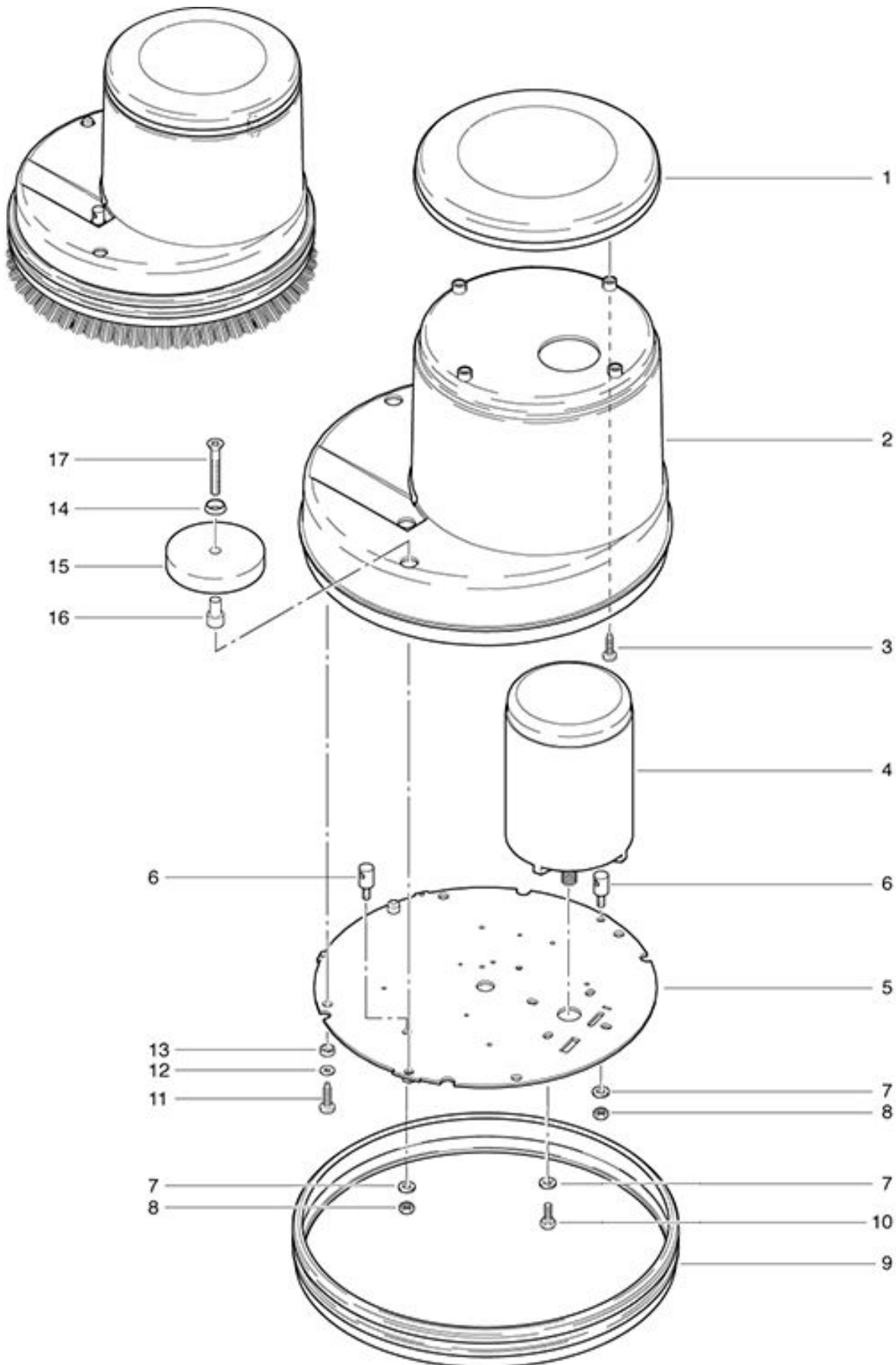


**RA 431 E**  
**Engine**

As at: 05/27/08 Time:06:16



# RA 431 E

## Engine

As at: 05/27/08 Time:06:16

| <b>Pos.</b> | <b>Description</b>                  | <b>Reference</b> |
|-------------|-------------------------------------|------------------|
| 01          | Cover                               | 748.067 O        |
| 02          | Cover                               | 432.510          |
| 03          | PT-screw KA 50x24                   | P...515 L        |
| 04          | Motor complete 230 V / 50 Hz 1000 W | 720.121          |
| 05          | Soil                                | 720.146          |
| 06          | Hold bolt                           | 432.505          |
| 07          | Washer M 8                          | P...496 P        |
| 08          | Hexagon nut M 8                     | P...492 H        |
| 09          | Shock protection                    | 720.054          |
| 10          | Hexagon screw M 8x16                | P...471 D        |
| 11          | PT-screw KA 50x10                   | P...515 LA       |
| 12          | Washer M 5                          | P...496 G        |
| 13          | Distance ring                       | 432.515          |
| 14          | Washer Ø 6/18x1.7 mm                | P...496 L        |
| 15          | Fender wheel Ø 90 mm                | 510.127          |
| 16          | Distance ring                       | 432.508          |
| 17          | Hexagon socket screw M 8x45         | P...488 U        |