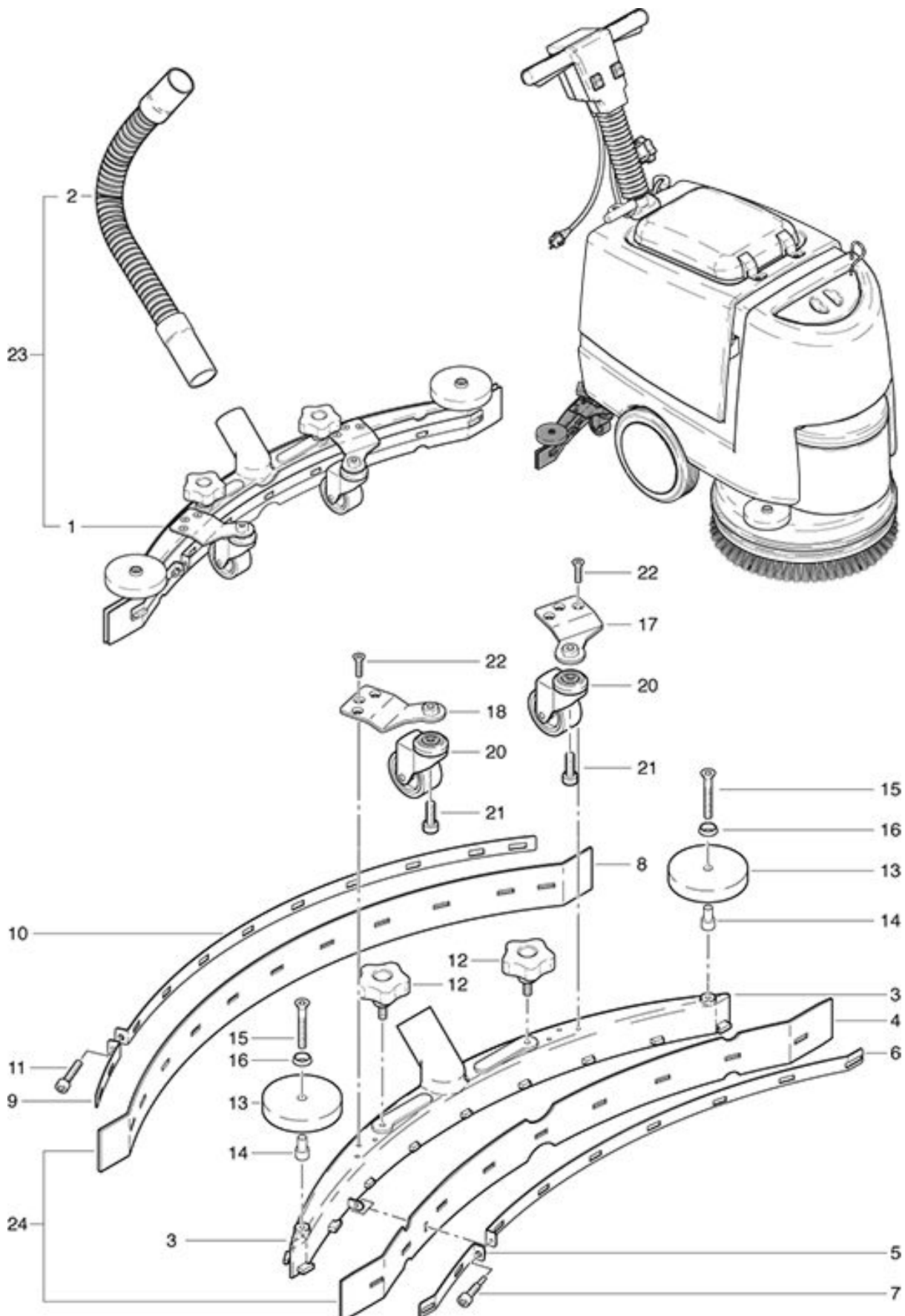


**RA 431 E**  
**Suction nozzle curved**

As at: 05/27/08 Time:06:24



# RA 431 E

## Suction nozzle curved

As at: 05/27/08 Time:06:24

<b>Pos.</b>	<b>Description</b>	<b>Reference</b>
01	Suction nozzle curved compl. including items 3-22	432.550
02	Hose complete	432.832
03	Suction nozzle body	432.555
04	Suction lip in front, grey 3 mm	432.602
05	Support plate small, in front	432.561
06	Support plate in front	432.563
07	Set screw	800.425
08	Suction lip rear, 3 mm	432.603
09	Support plate small in the back	432.564
10	Support plate in the back	432.562
11	Cylindrical screw M 6x25	P...488 Q
12	Star handle Ø 62	P...253 J
13	Fender wheel Ø 90 mm	510.127
14	Distance ring	432.508
15	Countersunk screw M 8x45	P...479 P
16	Disk for countersunk screw	P...500 T
17	Role owner left	432.553
18	Role owner on the right	432.554
20	Castor	560.547
21	Hexagon socket screw M 10x20	P...487 H
22	Countersunk screw M 6x16	P...487 W
23	Suction with dust extraction hose of complete stock from pos. 1+2	432.030
24	Suction lips set, standard	432.552
24	Suction lips set, oil and fatsteadily	432.551