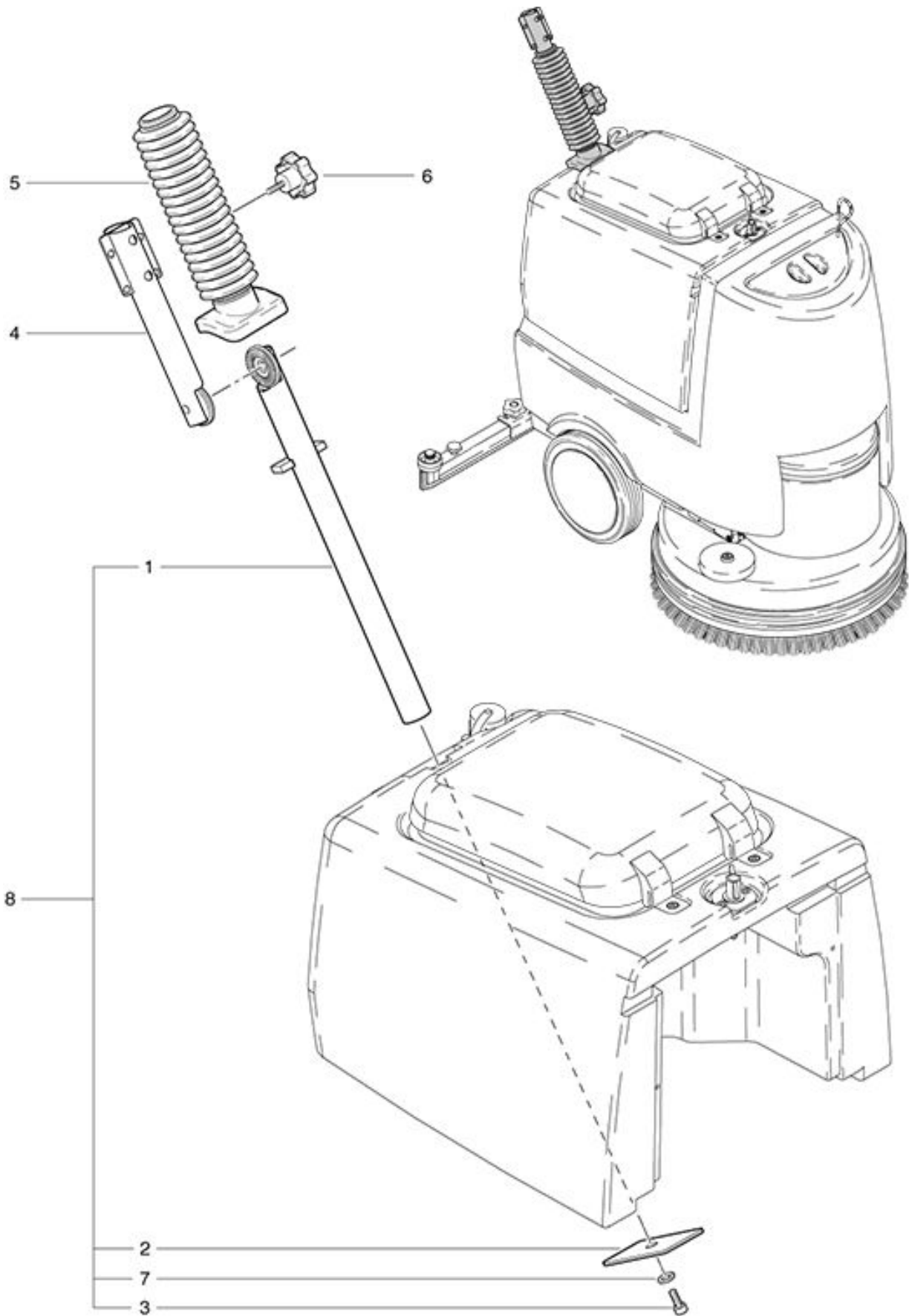


RA 501 B / RA 501 IBC
Angled tube

As at: 05/28/08 Time:01:33



RA 501 B / RA 501 IBC

Angled tube

As at: 05/28/08 Time:01:33

Pos.	Description	Reference
01	Lower angled tube	436.253
02	Disk	436.340
03	Cylindrical screw M 10x35	P...487 HA
04	Upper handle tube swivelling	432.410
05	Protection	432.405
06	Star handle Ø 62/M 8	P...253 K
07	Serrated lock washer M 10	P...498 F
08	Up to Masch.No 8812-001 complete order: Pos.1,2,3 and 7	-