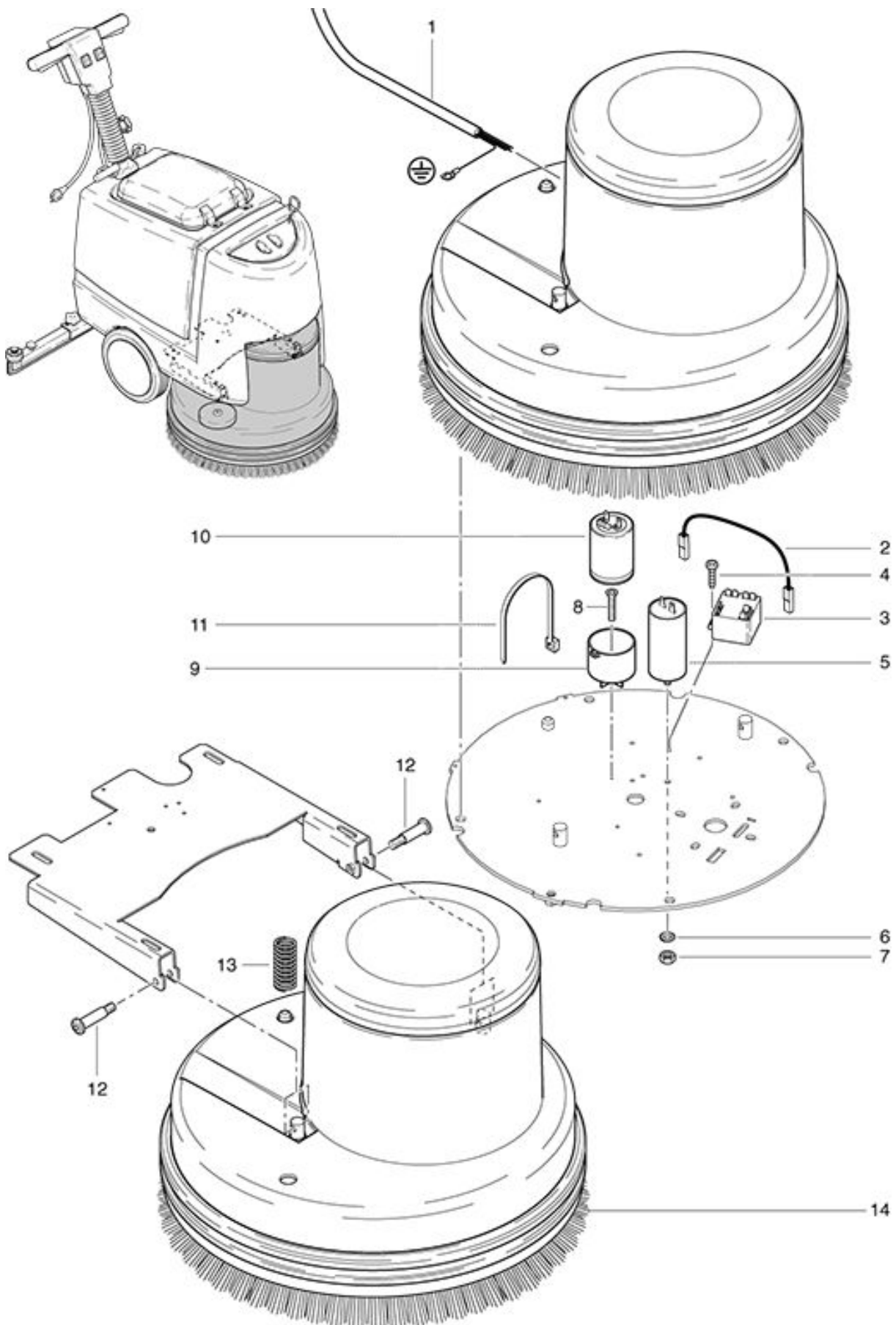


RA 501 E  
Capacitor

As at: 05/28/08 Time:01:13



# RA 501 E

## Capacitor

As at: 05/28/08 Time:01:13

<b>Pos.</b>	<b>Description</b>	<b>Reference</b>
01	Motor cable	430.317
02	Cable	790.556
03	Relay	P...350
04	PT screw KA 30x10	P...516 A
05	Capacitor 25 uF, 450VAC	720.122 A
06	Security washer M 8	6610419
07	Nut M 8	P...491 F
08	Countersunk screw M 4x25	P...480 V
09	Capacitor holder	741.316
10	Capacitor 125 uF, 320V	742.328
11	Cable tie	P..424
12	Pass shoulder screw 8x25 M 6x6	432.521
13	Compression spring 68x18x2	432.520
14	Scrubbing brush PPN 0,6 D 51 cm	730.059