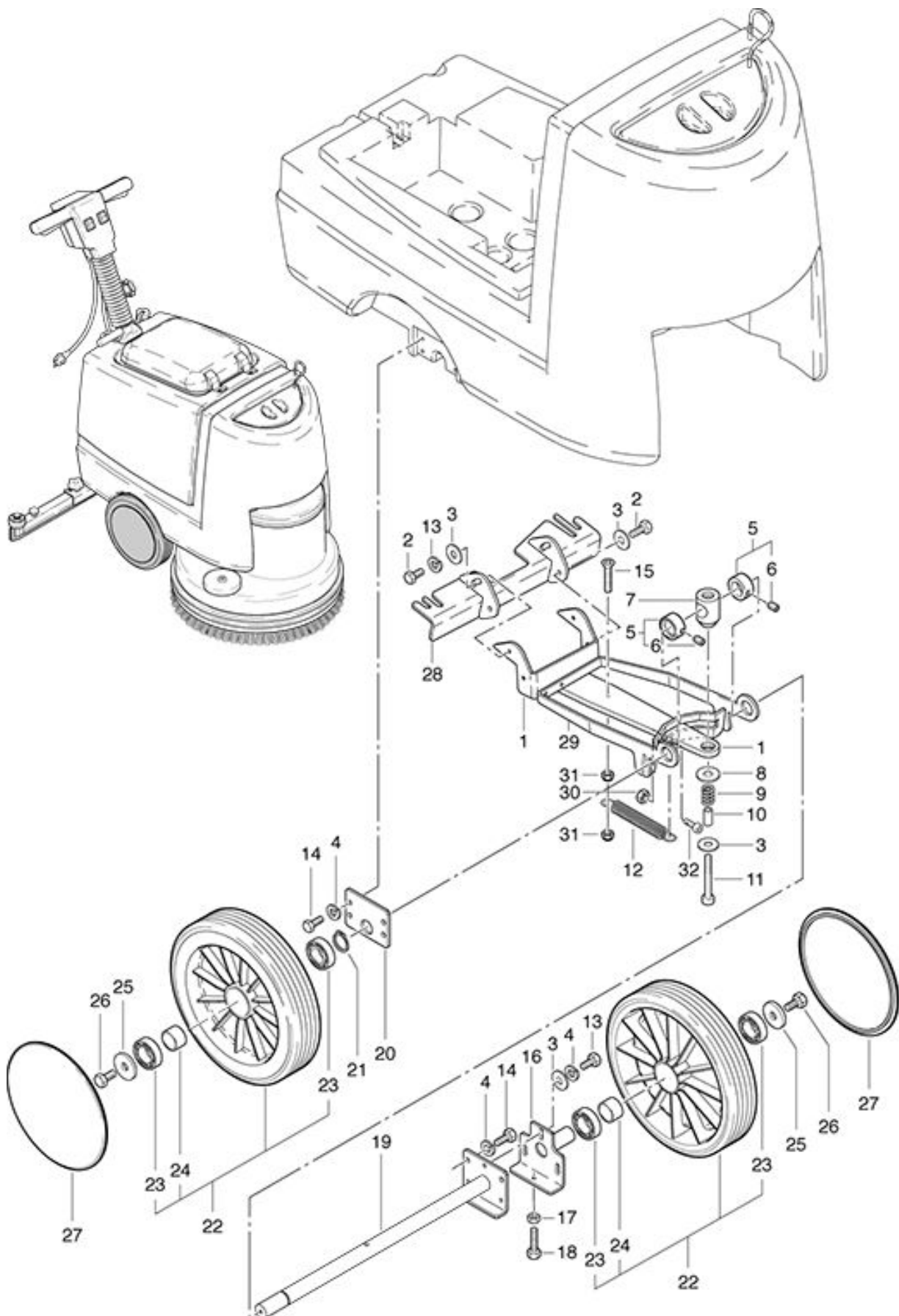


RA 501 E
Chassis and Wheel

As at: 05/28/08 Time:01:14



RA 501 E

Chassis and Wheel

As at: 05/28/08 Time:01:14

Pos.	Description	Reference
01	Lever	432.982
02	Hexagon screw M 6x12	P...470 R
03	Washer M 6	P...496 L
04	Washer M 6	P...498 U
05	Tension ring compl.	432.065
06	Thread pin I-6Kt. M 6x6	P...481 C
07	Ball stud	432.063
08	Washer M 10/10.5/30/2.5	P...496 S
09	Compression spring D 12,5x22	432.083
10	Distance washer	432.081
11	Cylindrical screw M 6x40	P...486 Y
12	Spring	432.084
13	Hexagon screw M 6x10	P...471 Z
14	Hexagon screw M 6x16	P...470 T
15	Countersunk screw M 6x25	P...480 H
16	Clamping plat adjustably	432.061
17	Hexagon nut M 6	P...490 D
18	Hexagon screw M 6x20	P...470 X
19	Axle compl.	432.060
20	Clamping plate	432.062
21	Security ring D 20	P...513 EA
22	Wheel complete, including Items 23+24	530.240
23	Ball bearing	P...316 R
24	Distance piece	530.246
25	Washer 6/25x1.8	P...497 Y
26	Hexagon screw M 6x12	P...470 R
27	Wheel cover	530.242
28	Nozzle support angle	432.380
29	Nozzle holder	432.080
30	Hexagon nut M 8	P...492 N
31	Locknut M 6	P...492 K
32	Hexagon screw M 8x16	P...489 I