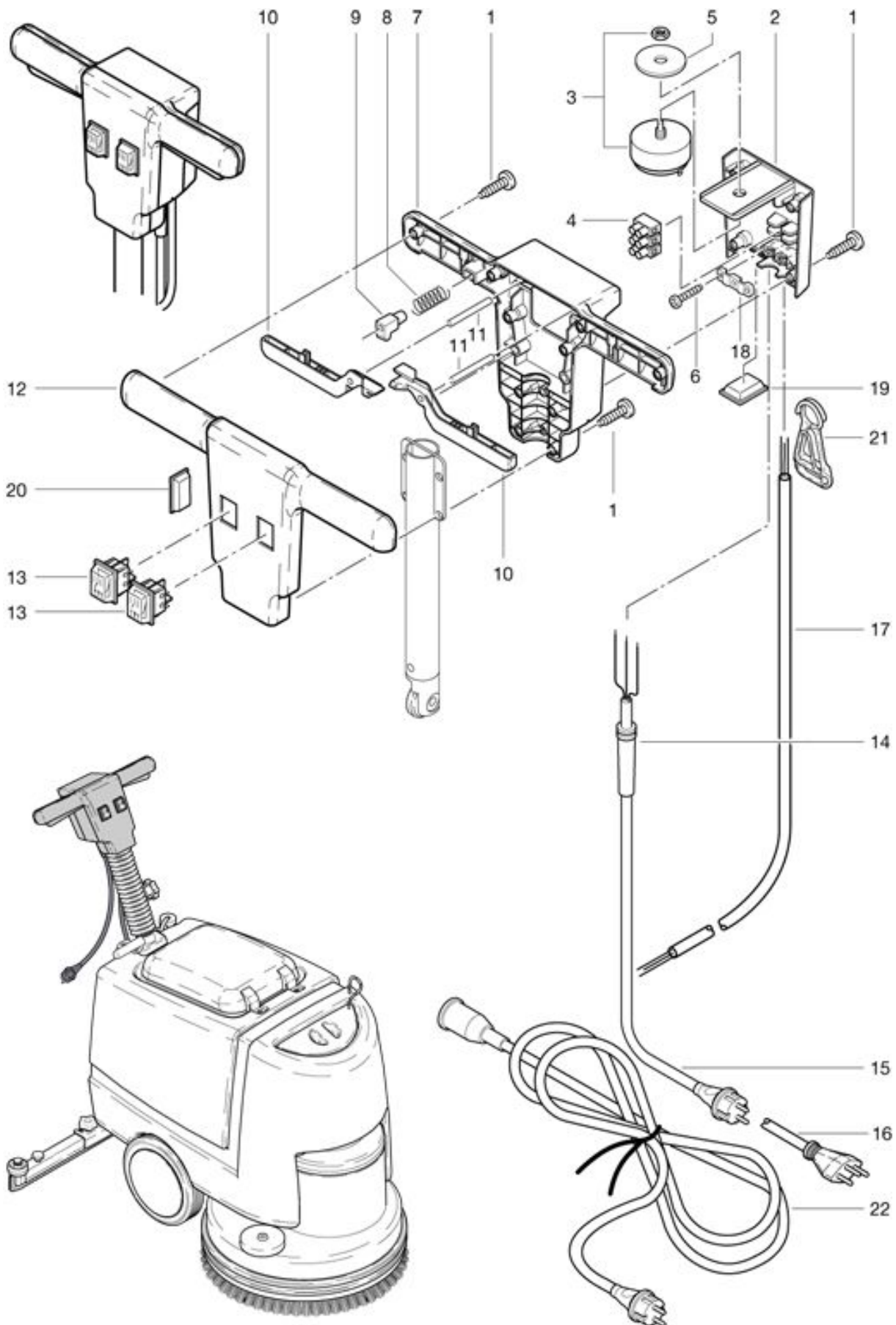


RA 501 E Handle

As at: 05/28/08 Time:01:15



RA 501 E

Handle

As at: 05/28/08 Time:01:15

Pos.	Description	Reference
01	PT screw KA 50x25	P...515 L
02	Rear handle cover	741.310
03	Switch (2)	6650454
04	Electrical terminal (3)	P...383 N
05	Washer M 12/13/37/3	P...496
06	Screw M 5x20	P...515 K
07	Rear handle housing	430.324
08	Pressure spring	742.209
09	Button	742.208
10	Switch handle	741.204
11	Cylindrical pin D 650	P...512 M
12	Front handle housing	430.321
13	Tumbler switch	P...240
14	Rubber clamp	P...408 K
15	Mains cable 600 mm VDE	P...400 B
16	Mains cable 600 mm SEV	P...400 D
17	Cable tree for pushbar	432.319
18	Cable clamp	4611085
19	Cover	741.216
20	Cover	P...171 O
21	Cable assembly discharge	P...375
22	Extension cable VDE 20 m	500.863