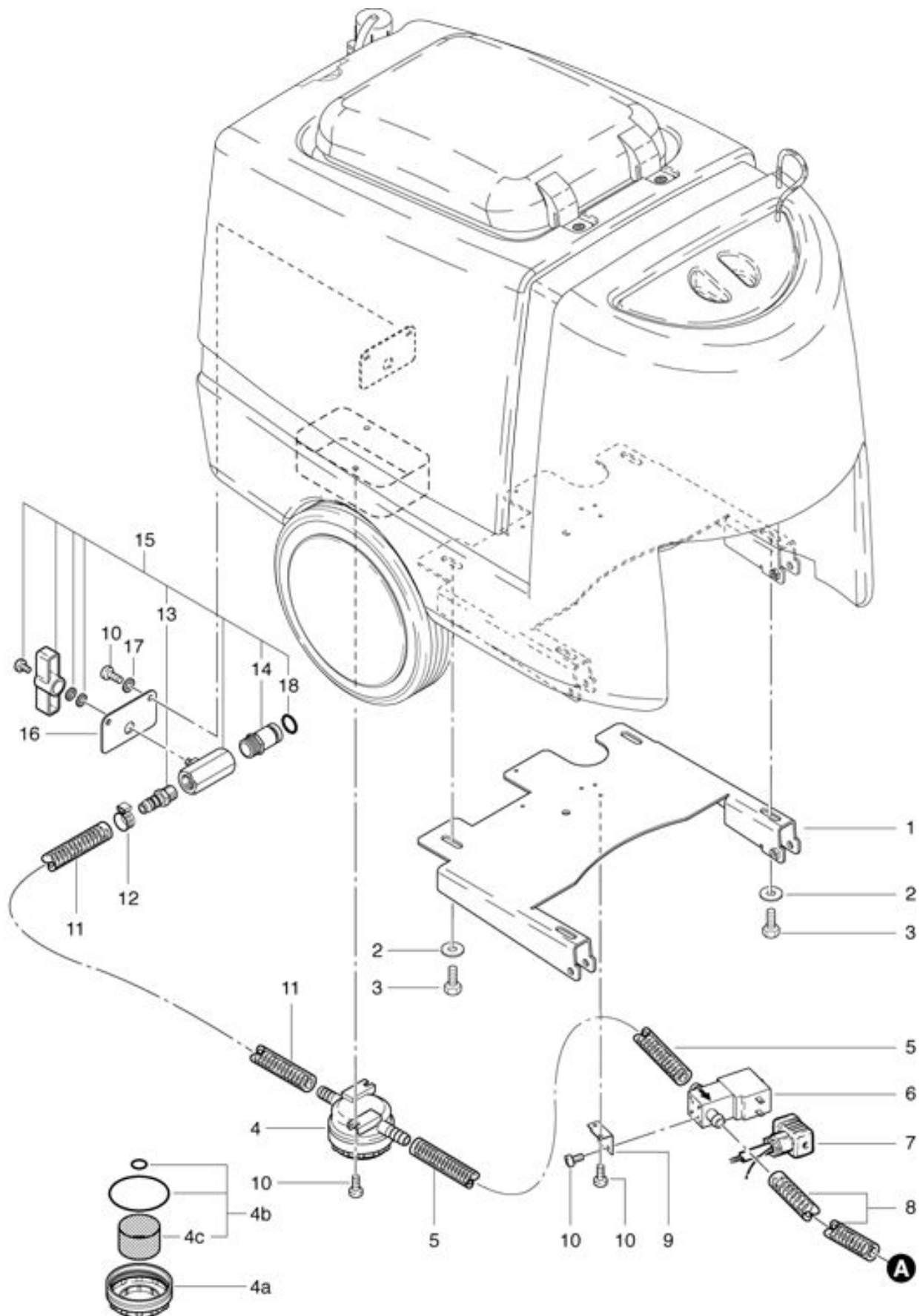


RA 501 E
Magnetic valve and Filter assembling

As at: 05/28/08 Time:01:15



RA 501 E

Magnetic valve and Filter assembling

As at: 05/28/08 Time:01:15

Pos.	Description	Reference
01	Girder sheet metal	432.052
02	Washer M 6	P...496 L
03	Hexogon screw M 6x12	P...486 Q
04	Filter compl.	430.759
04a	Filter cover	430.258
04b	Filter kit	430.759 A
04c	Filter	430.759 B
05	Hose 390 mm	432.151
06	Magnetic valve 230 V / 50 HZ	P...257
07	Cable for magnetic valve	432.710
08	Hose 225 mm	432.152
09	Angled support	501.233
10	Truss head screw M 5x10	P...481 Z
11	Hose 225 mm	432.152
12	Hose clip 19.8-706R	P...550 N
13	Straight nipple	P...519 B
14	Straight	432.087
15	Valve complete	432.085
16	Disk to ball valve	432.088
17	Serrated lock washer M 5	P...498 D
18	O-ring	P...960 O