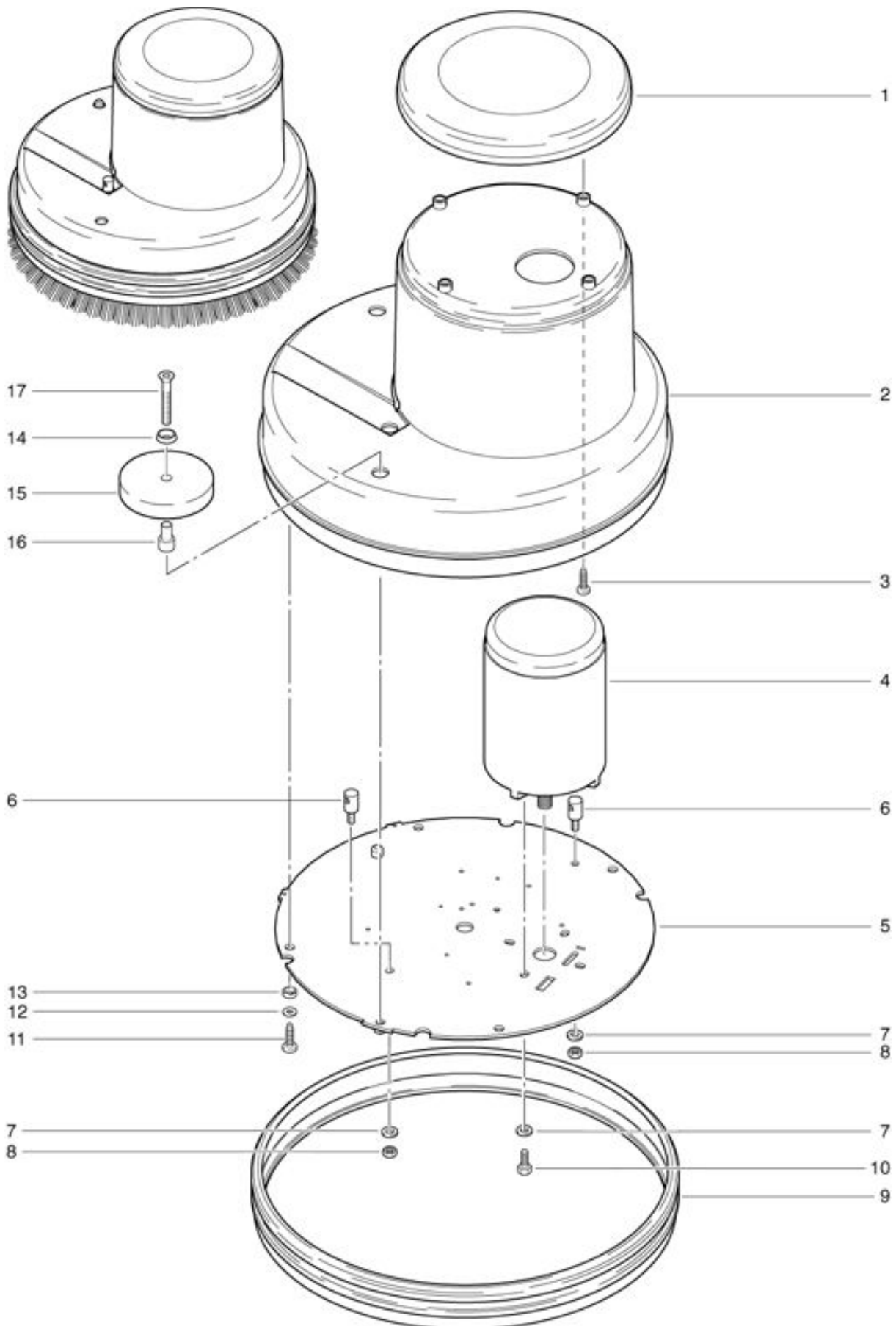


RA 501 E
Motor

As at: 05/28/08 Time:01:16



RA 501 E

Motor

As at: 05/28/08 Time:01:16

Pos.	Description	Reference
01	Cover	748.067 O
02	Cover	501.510
03	PT-screw KA50x24	P...515 L
04	Motor complete 230V / 50HZ 1000W	720.121
05	Drive disk	501.502
06	Hold bolt	432.505
07	Washer M 8	P...496 P
08	Hexagon nut M 8	P...492 H
09	Shock protection	501.515
10	Hexagon screw M 8x16	P...471 D
11	PT-screw KA50x10	P...515 LA
12	Washer M 5	P...496 G
13	Distance ring	432.515
14	Washer D 6/18x1,7	P...496 L
15	Fender wheel D 90 mm	510.127
16	Distance ring	432.508
17	Hexagon socket screw M 8x45	P...488 U