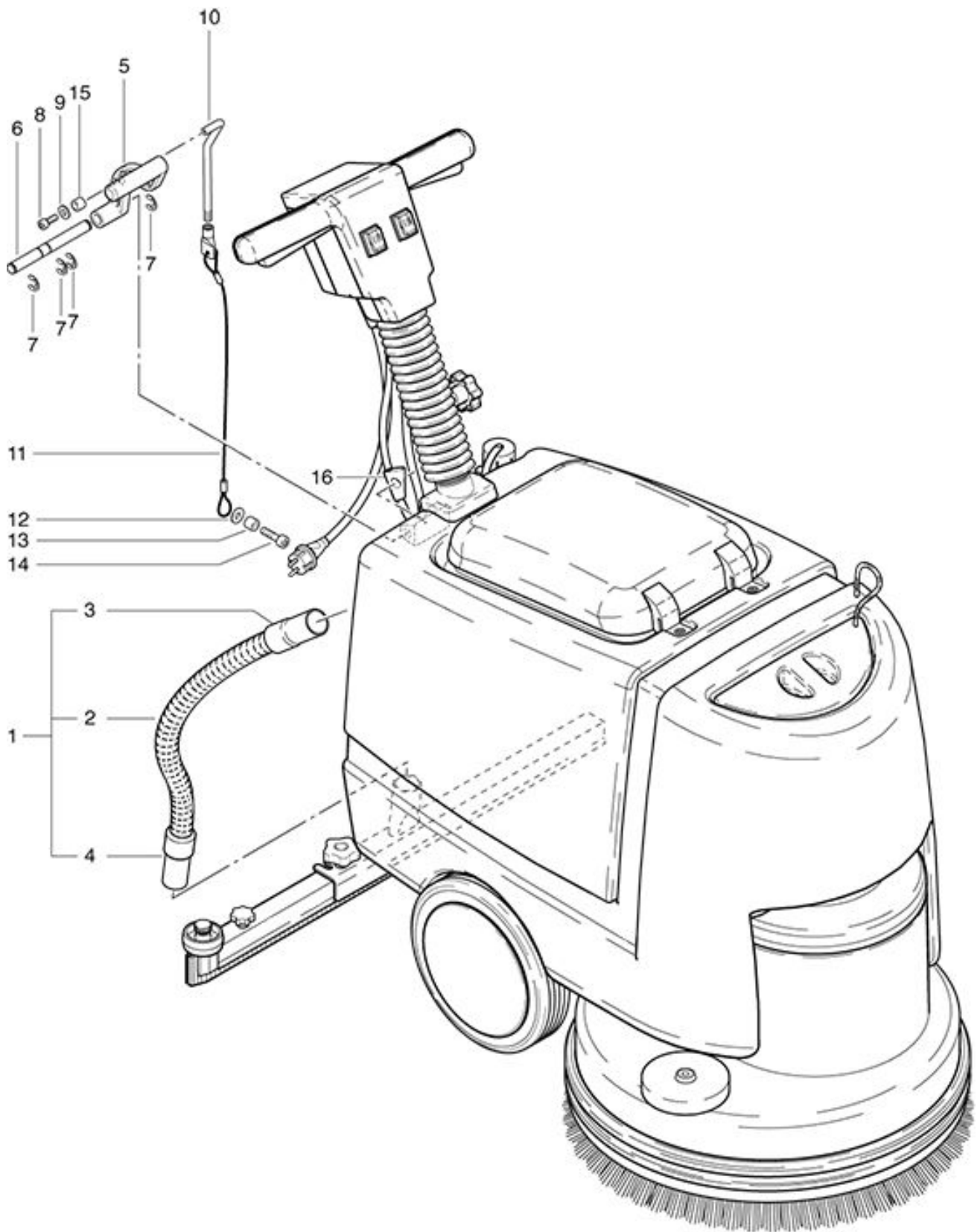


# RA 501 E

## Suction nozzle removal

As at: 05/28/08 Time:01:17



## RA 501 E

### Suction nozzle removal

As at: 05/28/08 Time:01:17

<b>Pos.</b>	<b>Description</b>	<b>Reference</b>
01	Hose complete, including items 2-4	430.831
02	Hose socket	P...575 B
03	Hose 430 mm	430.832
04	Hose socket	P...562 C
05	Lever to suction nozzle	432.365
06	Axle	432.361
07	Lock washer	P...499 Q
08	Fillister-head screw M 5x10	P...481 Z
09	Washer M 5	P...496 G
10	Lifting bar	432.370
11	Hauling cable 257 mm	430.817
12	Washer M 6	P...496 K
13	Distance piece	430.618
14	Hexagon screw M 5	P...472 E
15	Distance piece	P...509 J
16	Cable entry	432.362