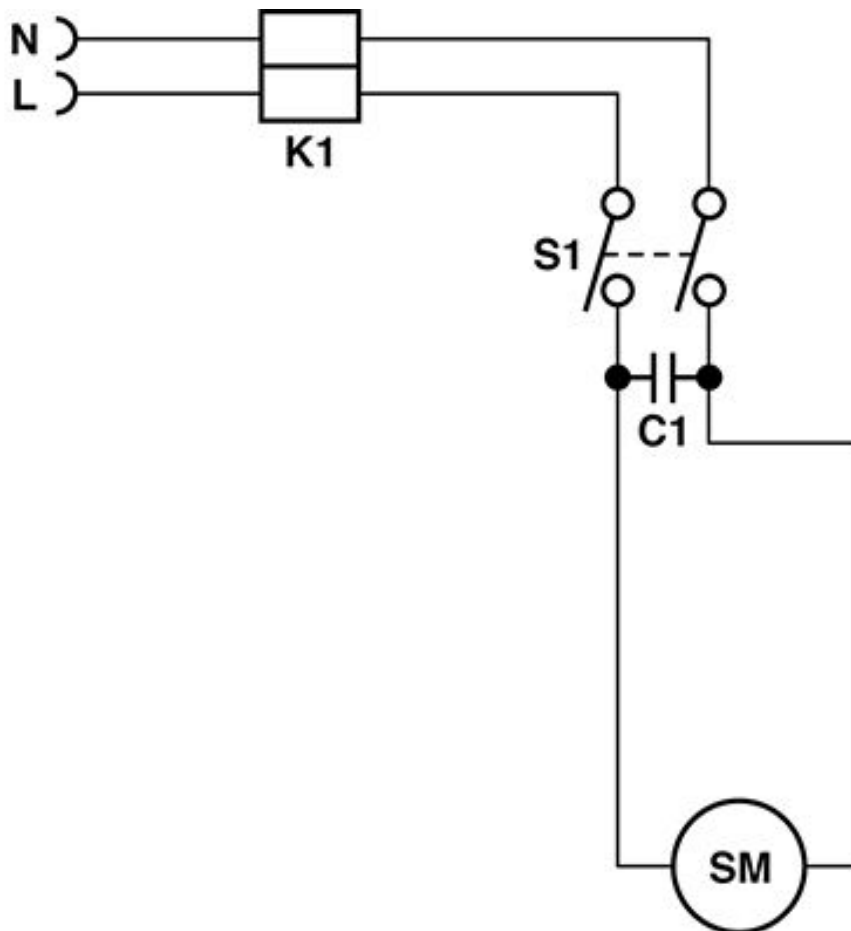


S 05
Wiring diagram

As at: 05/25/08 Time:05:44



- K1 = Reihenklemme / Serre-fil / Cable clamp
- S1 = Wippenschalter / Interrupteur / Tumbler switch
- C1 = Kondensator 0.15 μ F / Condensateur 0.15 μ F / Capacitor 0.15 μ F
- SM = Saugmotor / Moteur d'aspiration / Vacuum motor

S 05

Wiring diagram

As at: 05/25/08 Time:05:44

Pos.	Description	Reference
C1	Capacitor 0,15 μ F	P...393 E
K1	Cable clamp	P...383 H
S1	Tumbler switch LED	010.113
SM	Vacuum motor	010.121