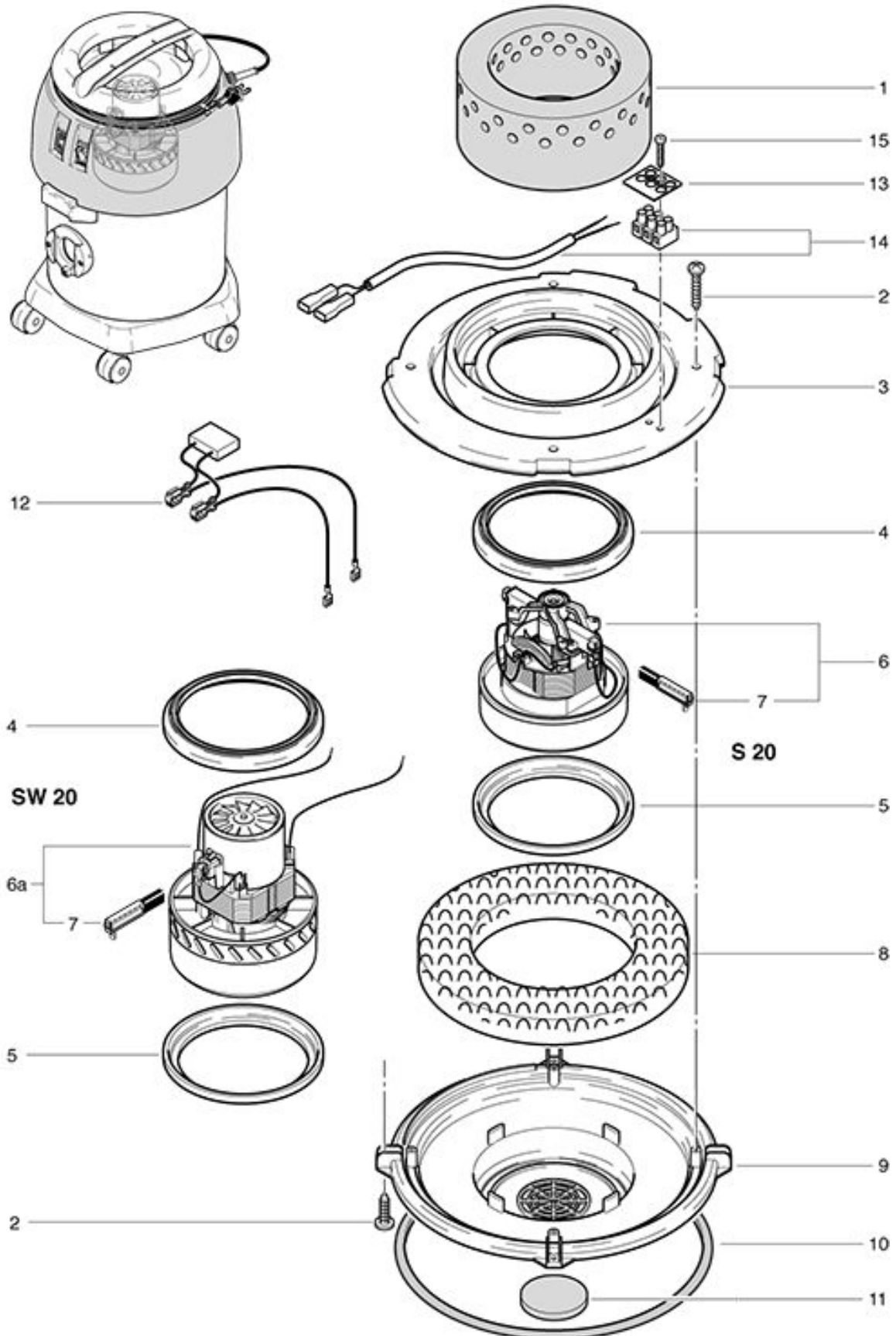


S 20
Vacuum motor

As at: 05/25/08 Time:06:22



S 20

Vacuum motor

As at: 05/25/08 Time:06:22

Pos.	Description	Reference
01	Isolation cap S 20	020.208
01	Isolation cap SW 20	020.211
02	PT screw KA 40x16	P...516C
03	Motorplate	020.303
04	Profile up to machine no. 8236	P...971E
04	Profile as from machine no. 8237	022.133
05	Profile up to machine no. 8236	P...971E
05	Profile as from machine no. 8237	P...971H
06	Vacuum motor for S 20	P...870O
06a	Vacuum motor for SW 20	P...870E
07	Carbon brush for S 20	P...870U
07a	Carbon brush for SW 20	P...870KB
08	Isolation ring	020.309
09	Reinforcement piece	020.308
10	Bucket gasket	020.304
11	Airfilter for motor up to machine no. 8236	020.305
11	Airfilter for motor as from machine no. 8237	022.134
12	Motor cable for S 20	020.306
12	Motor cable for SW 20	022.143
13	Marking plate	P...390
14	Cable tree with cable clamp	020.307
15	PT screw KA 30x20	P...516E