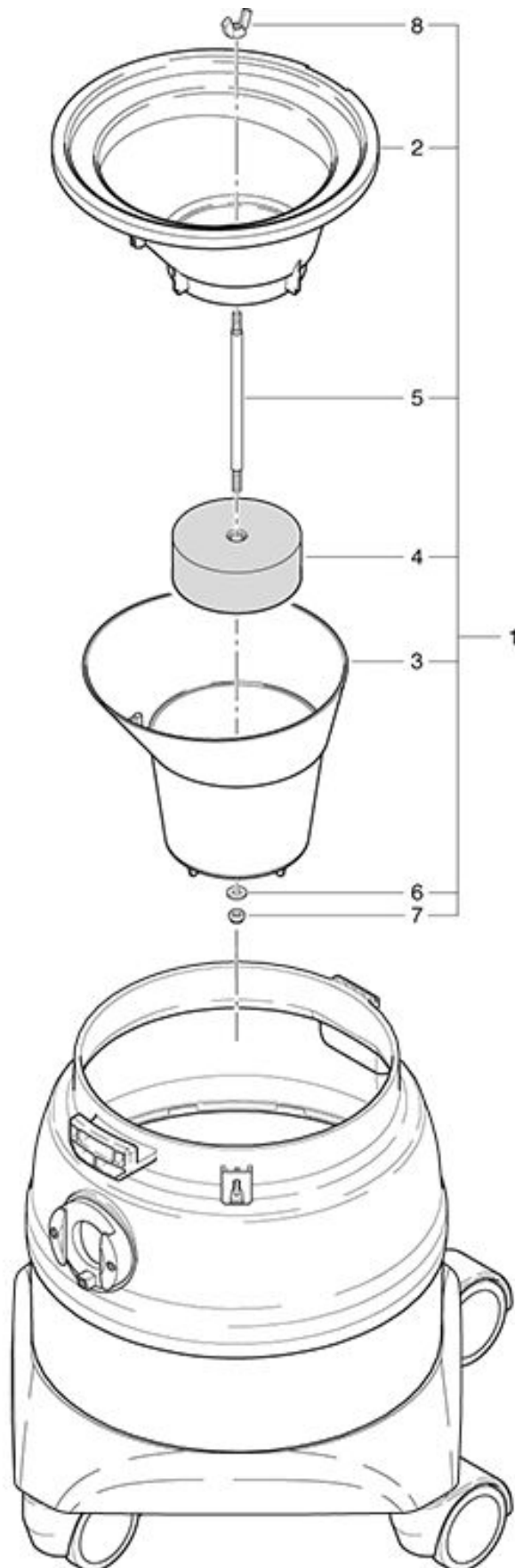


SW 21 Aqua
Suction application for wet vacuum cleaner

As at: 05/24/08 Time:07:44



SW 21 Aqua

Suction application for wet vacuum cleaner

As at: 05/24/08 Time:07:44

Pos.	Description	Reference
01	Float insert compl. contenant Pos. 2-8	014.600
02		014.622
03		014.623
04	Float compl.	014.620
05	Float	014.624
06	Washer M 6 6.4/12/1.6	P...497 K
07	Stop nut M 6	P...492 K
08	Wing nut M 6	P...253 L