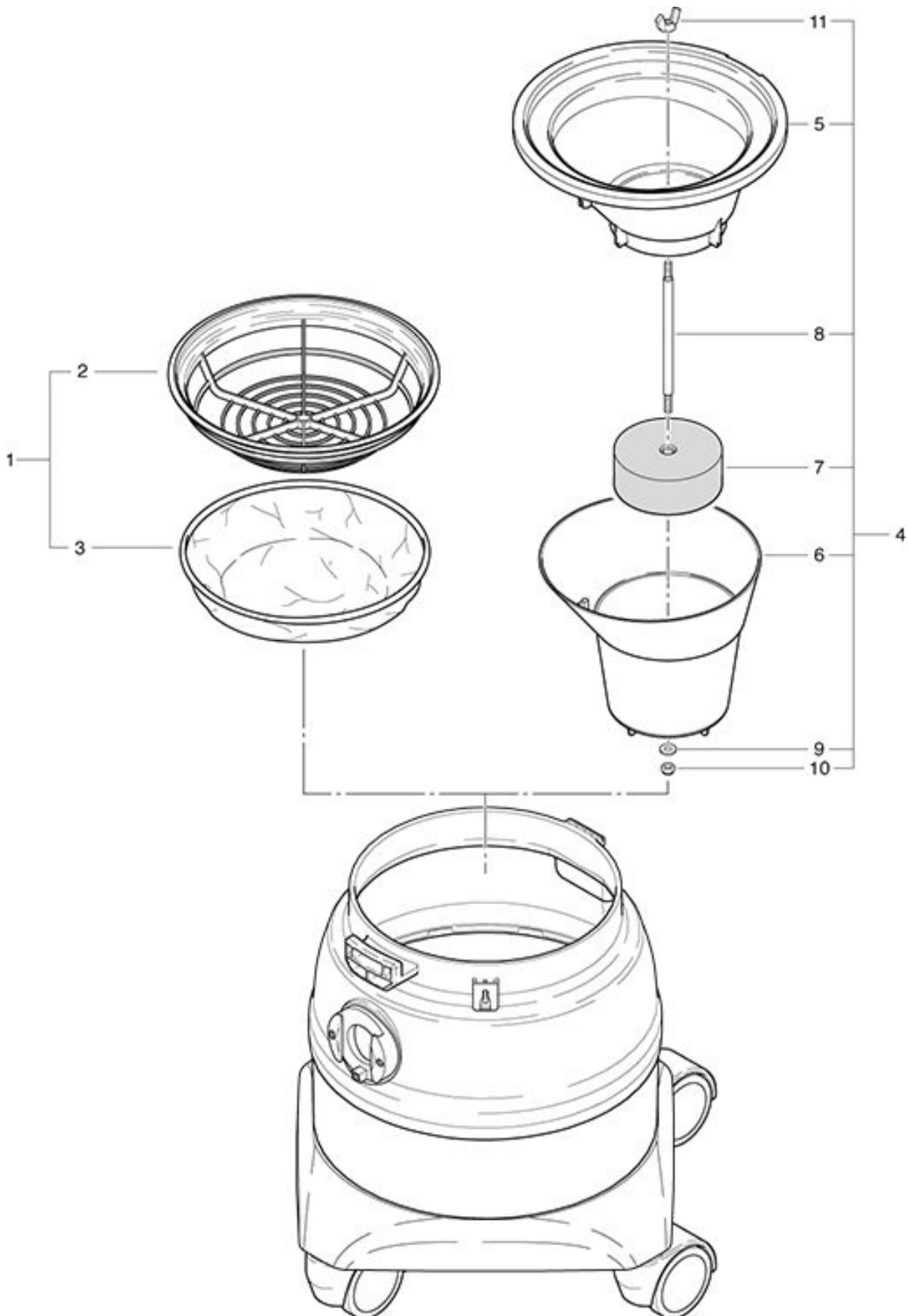


SW 21 Combi
Suction application for Wet and dry vacuum cleaner

As at: 05/24/08 Time:07:31



SW 21 Combi

Suction application for Wet and dry vacuum cleaner

As at: 05/24/08 Time:07:31

Pos.	Description	Reference
01	Dustbag basket compl. including items 2+3	20122519
02	Filter cartridge	4012186
03	Filtercloth	020.320
04	Float insert compl. contenant Pos. 5-11	014.600
05		014.622
06		014.623
07	Float compl.	014.620
08	Float	014.624
09	Washer M 6 6.4/12/1.6	P...497 K
10	Stop nut M 6	P...492 K
11	Wing nut M 6	P...253 L